



KESSEBÖHMER
CLEVER STORAGE

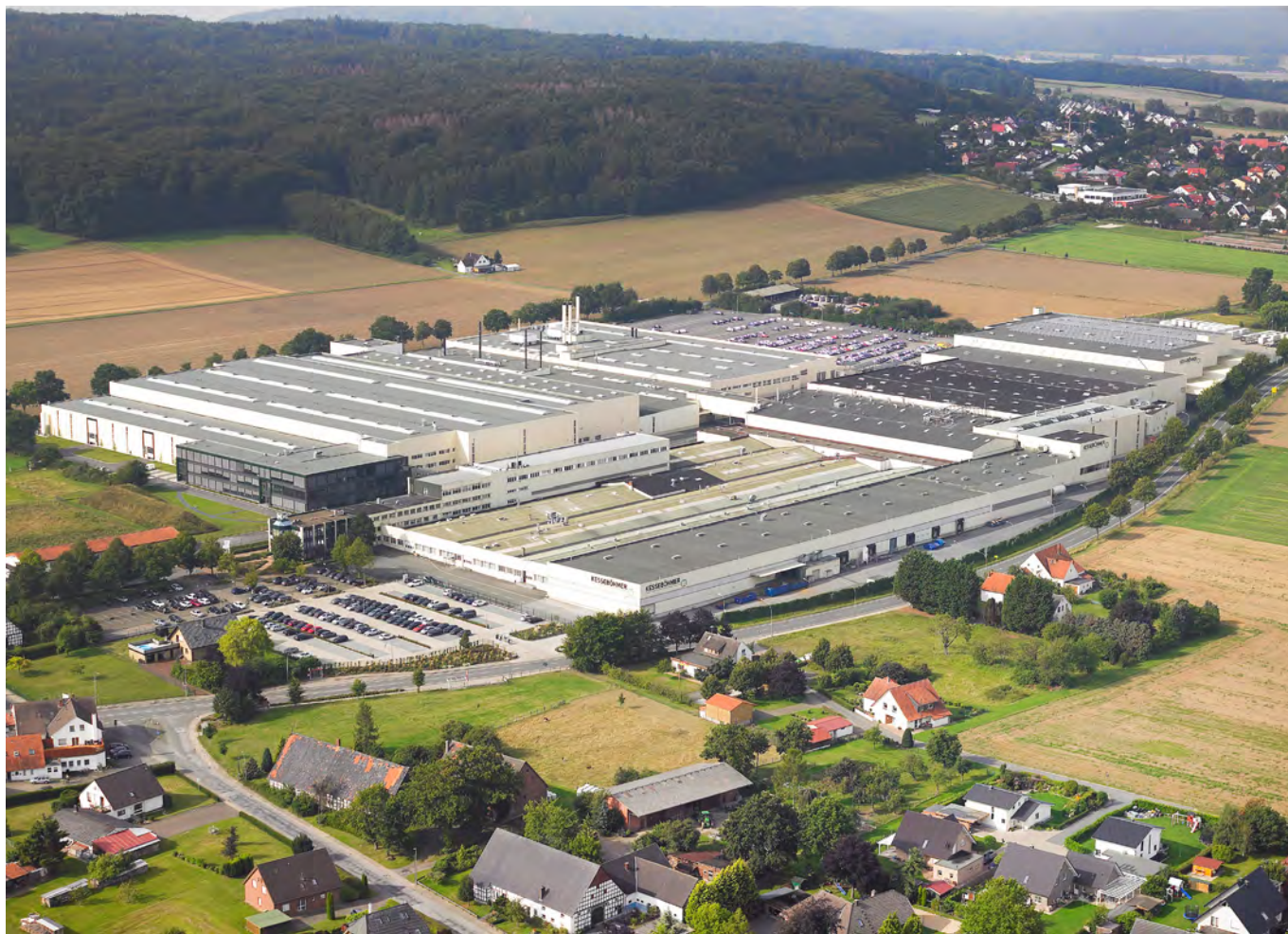


BRIGHT IDEAS
FOR BEAUTIFUL KITCHENS



WE ARE A STRONG
PARTNER FOR YOUR
BUSINESS.
KESSEBÖHMER

—  KESSEBÖHMER —



The name Kesseböhmer stands for innovative solutions and a powerful blend of design, function and quality. Today the Kesseböhmer group is still owned and managed by the current generation of the founding family.

Our core competence is in metal processing. We work with wire, flat band and tubing and our products are finished in our in-house electroplating and powder-coating facilities. Strong customer orientation has helped us to achieve and maintain our position as the leading supplier of functional fittings for kitchen units.

We supply elegant, high quality solutions for brilliantly organised kitchen storage. Our solutions help end users to make best use of available space and to streamline work processes. These benefits are strong selling points for kitchens.

In addition, kitchen manufacturers and kitchen fitters profit from the simplified assembly and easy adjustment of our pull-outs and other fittings. Many of our products are assembled without tools using snap-on connections. It saves time and ensures that the end result meets the highest standards.

Kesseböhmer has a high level of vertical integration, with all production processes in-house. We also engineer and build key elements of our production machinery and tooling. This strategy cuts development time from a new idea to a quality product:

Functions that delight. Designs that impress.

Quality that sets standards.



- Top shelf: Boxes of PPUA, jars of preserves, a box labeled "Clever Storage", and a box labeled "PARIS".
- Second shelf: Jars of jam, including one labeled "PEPPERMINT", and other jars.
- Third shelf: Bottles of oil and vinegar, including one labeled "32".
- Fourth shelf: Multiple jars of jam, including one labeled "32".
- Fifth shelf: Bags of snacks, including one labeled "HANDGEMAKEN JOHN I JOHN" and another labeled "32".
- Bottom shelf: Bottles of beer, including one labeled "32".

PRODUCT SELECTION GUIDE

	CABINET WIDTHS											HANDED		TRAY STYLE					
	150 mm	200 mm	250 mm	300 mm	400 mm	450 mm	600 mm	900 mm	1000 mm	1200 mm	Handed	Unhanded	ARENA pure Anthracite	ARENA Plus Chrome	ARENA Plus Anthracite	Style Chrome	Style Anthracite	YouBoxx	K-Line
Tall Units																			
CONVOY Premio																			
CONVOY Lavidò																			
DISPENSA VVS																			
No. 15 V-X																			
TANDEM Depot (1100 mm)																			
TANDEM Depot (1700 mm)																			
TANDEM side																			
MiO Applications																			
TurnMotion II																			
CORNER STORAGE																			
LeMans II																			
LeMans II HighBoard																			
MagicCorner																			
Revo 90																			
BASE UNIT PULL-OUT																			
No.15 Bottle Pull out																			
No.15 Towel Pull out																			
COMFORT II																			
cookingAgent																			
DISPENSA Junior slim																			
K-LINE base																			
PORTERO																			
WALL UNIT STORAGE																			
iMove																			

TALL CABINETS PERFECT STORAGE

On the way up. In today's kitchens, highboards are planned either as a block or as self-contained units. Often this strikingly modern unit is where you will find the technology.



CORNER CABINETS EASILY LOADED FROM THE TOP

Thanks to Kesseböhmer, corner units have taken a turn for the better. They are now firmly established as classic storage areas in a kitchen plan.



GOOD IDEAS FIT IN EVERYWHERE BASE CABINETS

To make intelligent use of the whole width of a kitchen, you need a fitting that moves the stored items out in front of the cabinet – so that you have a clear view and easy access.



MiO MY INTELLIGENT ORGANIZATION

Creating a system that is right for any size of room requires creative flexibility in planning and an innovative look – with functionality and style that is right for any area of your home, even wet rooms.



82

ACCESSORIES & SPECIALS THE ABILITY TO ORGANIZE

Creating a system that is right for any size of room requires creative flexibility in planning and an innovative look – with functionality and style that is right for any area of your home, even wet rooms.



90

- 06 Product Selection Guide
- 08 Function & Operation
ARENA, SoftSTOPP,
SoftSTOPPplus &
SoftSTOPPpro,
Synchronatic, ClickFixx
- 20 Tall Cabinets
Perfect storage
- 52 Corner Cabinets
Easily loaded from the top
- 66 Base Cabinets
Good ideas fit in everywhere
- 82 MiO
My intelligent organization
- 88 Accessories & Specials
Design creates order
- 113 K-Line
Solutions for the utility room
- 130 Quality and Environment



ARENA style

FINE DESIGN AND PERFECT
WORKMANSHIP

 KESSEBÖHMER

People choosing a new kitchen set a high priority on attractive design – also for the interior fittings – as an important purchase criterion. This means that function and optics should blend in a homogenous whole, the interior fittings must harmonise with the overall kitchen design.

Our design ARENA style design is used throughout – in larder pull-outs, and in corner, base and wall units. It combines optimal functionality and elegant optics with maximum space utilisation – thanks to the railing being attached to the outer edge of the tray.

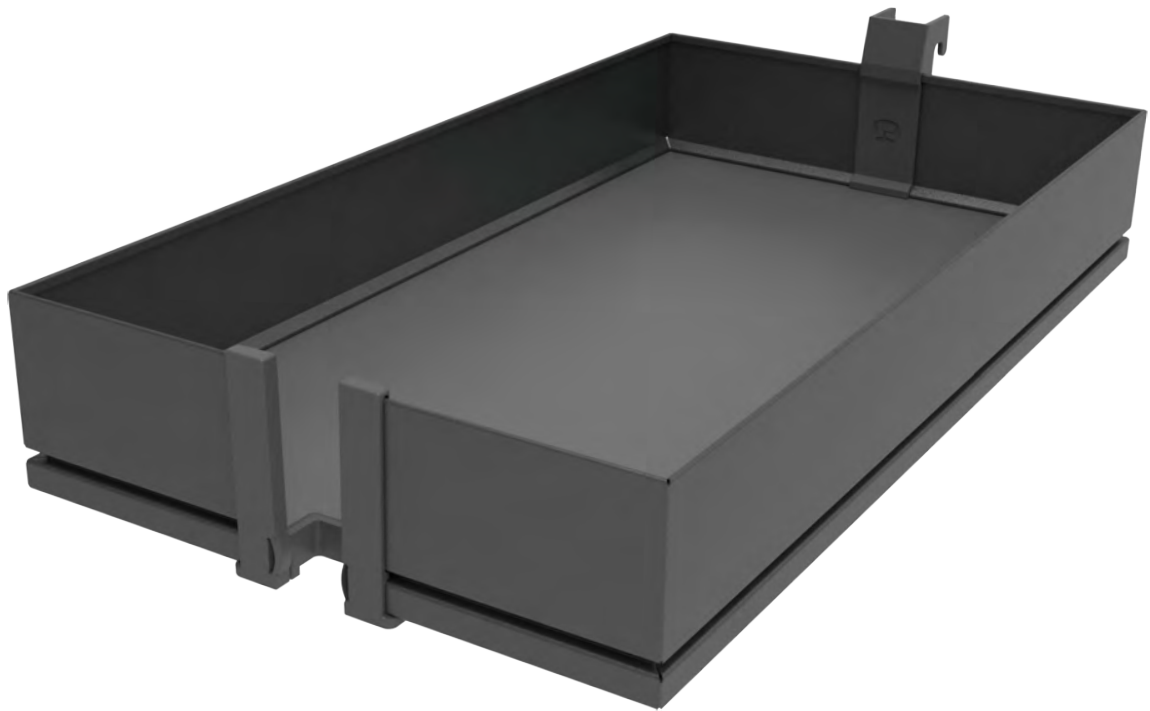


reddot design award

ARENA pure

INDIVIDUALITY WITH CONCEPT

 KESSEBÖHMER



THE NAME ARENA PURE SAYS IT ALL: the puristic, self-contained design of the new tray in the ARENA family is the perfect accompaniment to linear and contemporary yet homely kitchen architecture and the trend towards minimalistic frame designs.

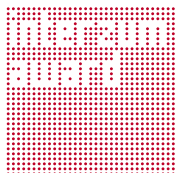
The railing height corresponds to that in the ARENA-style tray to create the perfect frame for the storage items. The powder-coated aluminium railing promises effortlessness alongside Kesseböhmer's consistently high standards for load-bearing capacity thanks to the tried-and-tested ARENA adhesive technology between the wooden base and metal railing.

ARENA plus anti-slip coating – WELCOME TO THE QUIET KITCHEN

— KESSEBÖHMER —



Kesseböhmer developed the special ARENA plus coating which prevents pots and pans, crockery and groceries slipping and sliding when a pull-out is opened or a carousel turned. All ARENA trays are supplied with the optional anti-slip coating.





ARENAplus



SoftSTOPP, SoftSTOPPplus
& SoftSTOPPpro –
GENTLE DECELERATION
AND NOISELESS CLOSING

—————  KESSEBÖHMER —————



SoftSTOPP, SoftSTOPPplus & SoftSTOPPpro provide the best combination as a high-performance damping system for cabinets designed to take high loads.

The SoftSTOPP range harmonizes movement sequences.

SoftSTOPP delivers damped closing.

SoftSTOPPplus delivers damped closing plus self-closing.

SoftSTOPPpro delivers damped opening.



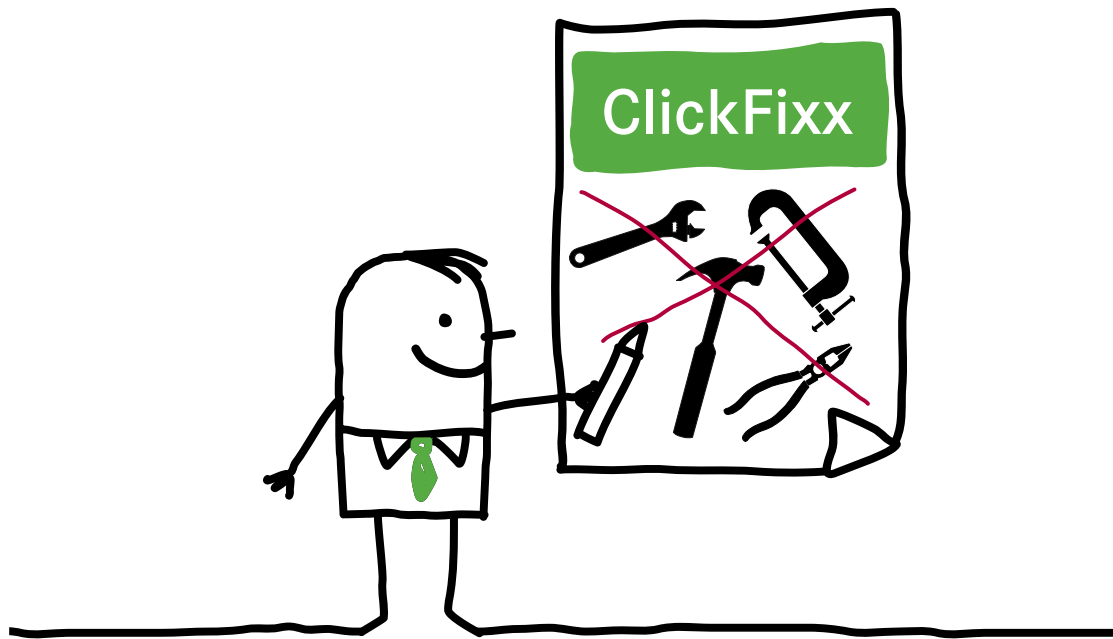


Synchromatic: THE NEW STANDARD FOR PERFECT CLOSING IN A BUSY KITCHEN

— KESSEBÖHMER —

This innovative synchronization system makes sure that the segments of the runner always automatically line up in “zero” position – regardless of whether the pull-out is opened fully or partially. Closing will always be optimal.





ClickFixx: MAKING ASSEMBLY FASTER AND SIMPLER

 KESSEBÖHMER

It is simple and fast. The new ClickFixx system for CONVOY, DISPENSA, LeMans II, MagicCorner, REVO 90° and FREElift cuts assembly time and guarantees a high standard. Both the front panel and the support frame connector are clipped on in a rapid, toolless process! And then all it takes is a screwdriver for gap adjustment.





ClickFixx for DISPENSA



ClickFixx for CONVOY



ClickFixx for MagicCorner



ClickFixx for LeMans II



ClickFixx for REVO 90°



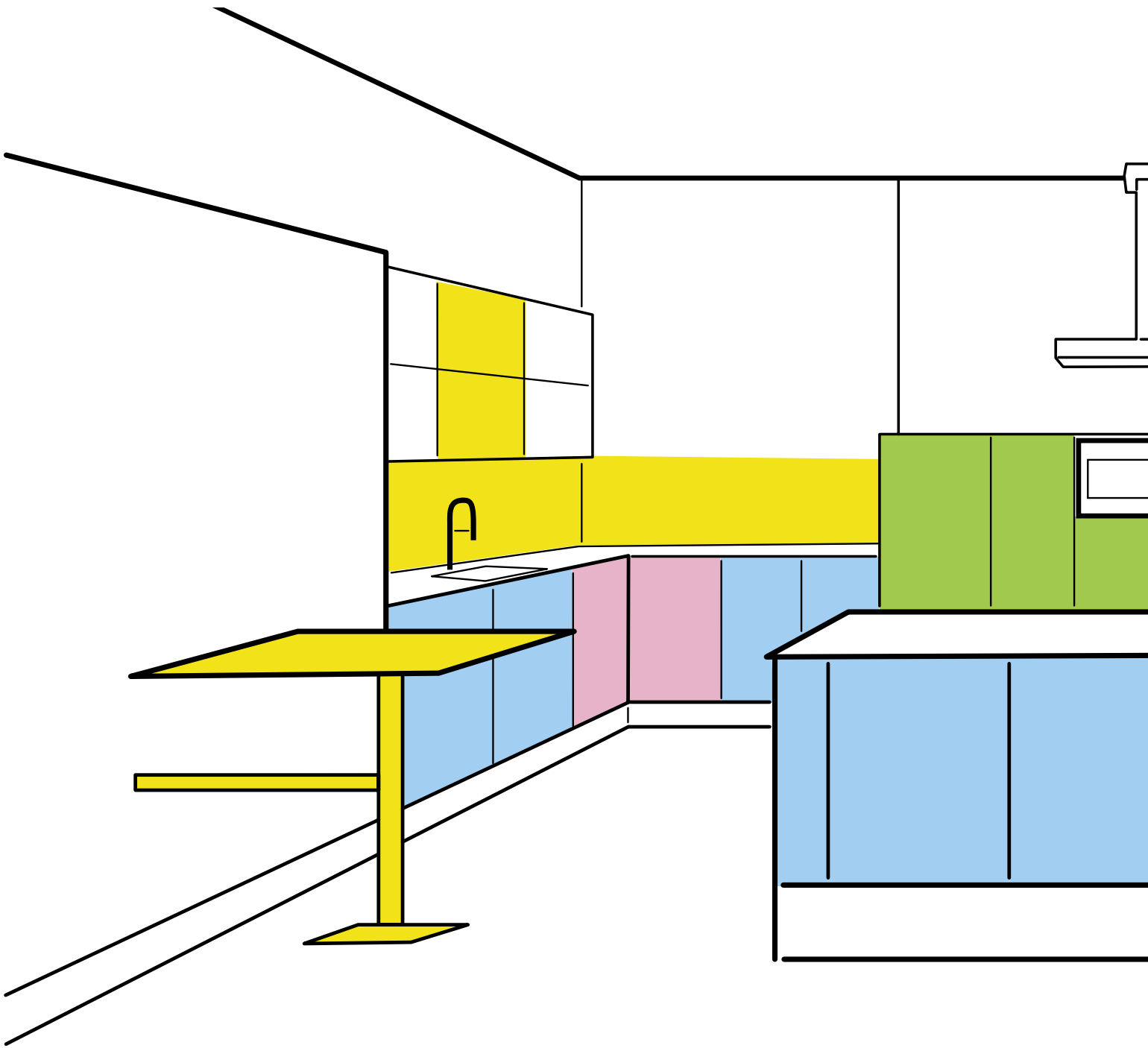
ClickFixx for FREElift



ClickFixx for DISPENSA junior III



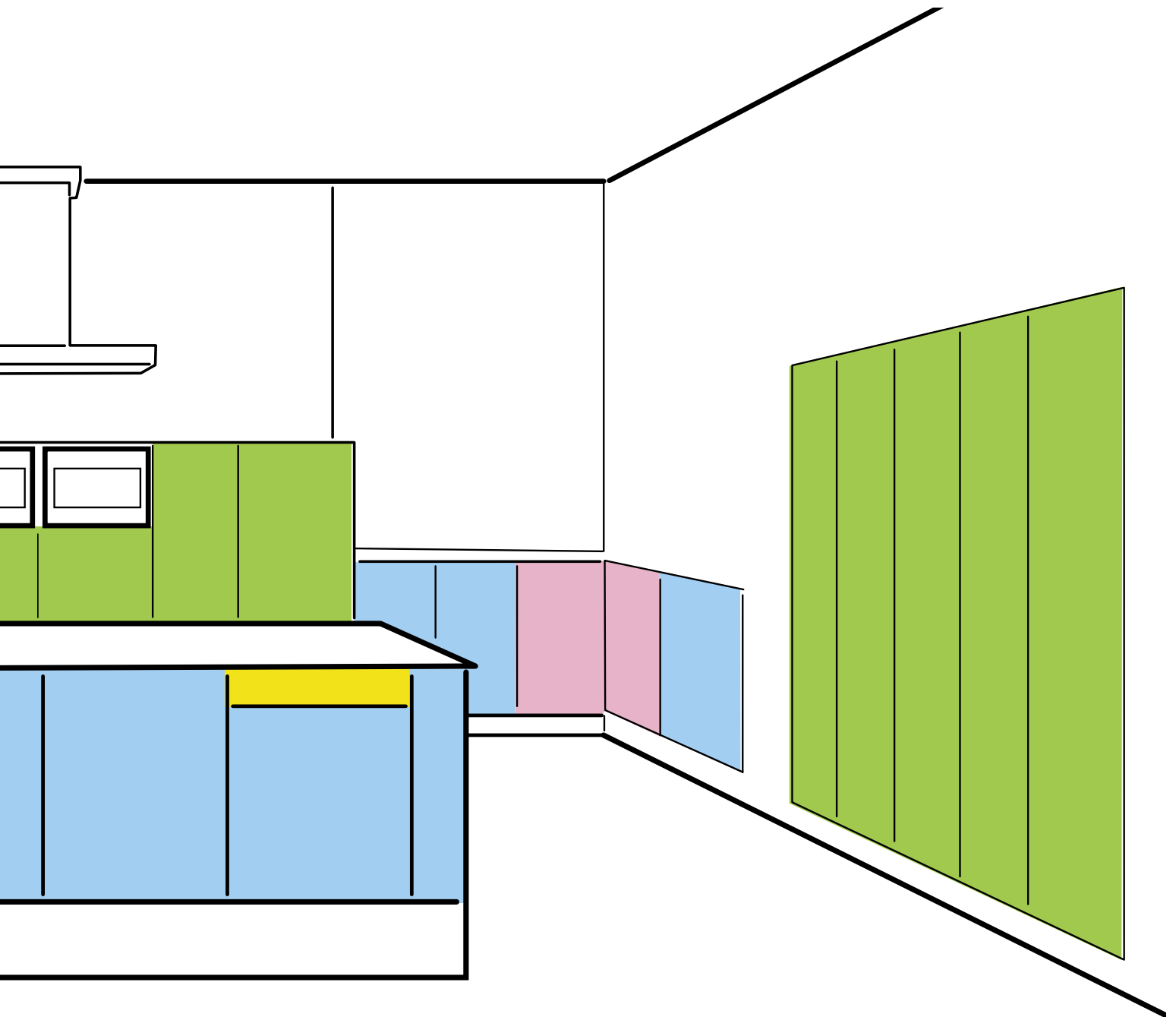
ClickFixx for No. 15



”

KESSEBÖHMER PRODUCTS

Quality is and will always remain the investment with the highest returns.



Clever Storage – A specialist in every cupboard. A cupboard is rarely just a cupboard – certainly not in the kitchen! Content-specific fittings, exactly matched to the contents, are the best solution: for your pots and pans, glasses and plates, and naturally your groceries! A well-organised stock of dry foods is the best recipe for planning and cooking great meals. Clever Storage is an approach which ensures that, in your kitchen, there is a place for everything – well-organised and easy to find and retrieve. It is the perfect combination of the practical and the stylish – and it saves space and time. See for yourself!



- Tall Cabinets ■
- Corner Cabinets ■
- Base Cabinets ■
- Accessories & Specials ■
- Wardrobe Accessories ■



”

KESSEBÖHMER TALL CABINETS



On the way up. In today's kitchens, highboards are planned either as a block or as self-contained units. Often this strikingly modern unit is where you will find the technology focus and also the central food storage in the kitchen.

Oven, steam oven and microwave can all be integrated in a highboard block, as can the food storage "mixed double" – the refrigerator and grocery cupboard.



CONVOY Premio



CONVOY Laido

CONVOY – MAKES DREAMS COME TRUE

 KESSEBÖHMER


PLUS X AWARD®

Groceries must be stored so that individual items can be located and retrieved easily



Fresh food need to be kept cool



Mixed double: FRIDGE + LARDER UNIT

 KESSEBÖHMER

The **CONVOY** from **Kesseböhmer** provides space enough to store all the groceries for a household in one centrally positioned unit with a very small footprint. A light touch moves the entire contents out in front of the unit – for a clear view from either side and very fast access. It makes kitchen work much easier, it saves time and effort and it avoids the risk of items being forgotten at the back of a cupboard.

Together the fridge + CONVOY create a complete storage centre in a contemporary fitted kitchen. **Accessible 24 hours a day, 7 days a week.**

larder unit



fridge



CONVOY Lavidó WILL WIN HEARTS WITH STRAIGHTFORWARD AND OPEN APPROACH

 KESSEBÖHMER

The **CONVOY Lavidó** makes a great impression. CONVOY Lavidó is a storage system “made for life” because of its multiple uses – in contemporary kitchens, in living and dining rooms and as a key element in a home office.

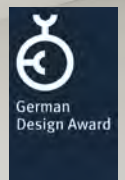
What is so special about the CONVOY Lavidó? CONVOY Lavidó is not attached to the front panel, so that it is perfect for many

different designs and applications, for example, behind sliding doors. Not only are all the contents in clear view, they are virtually “presented” to the user. Discover the many beautiful and practical details. Be inspired!



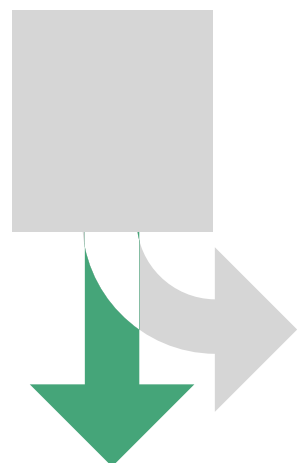
interior
innovation
award

Winner





Function:



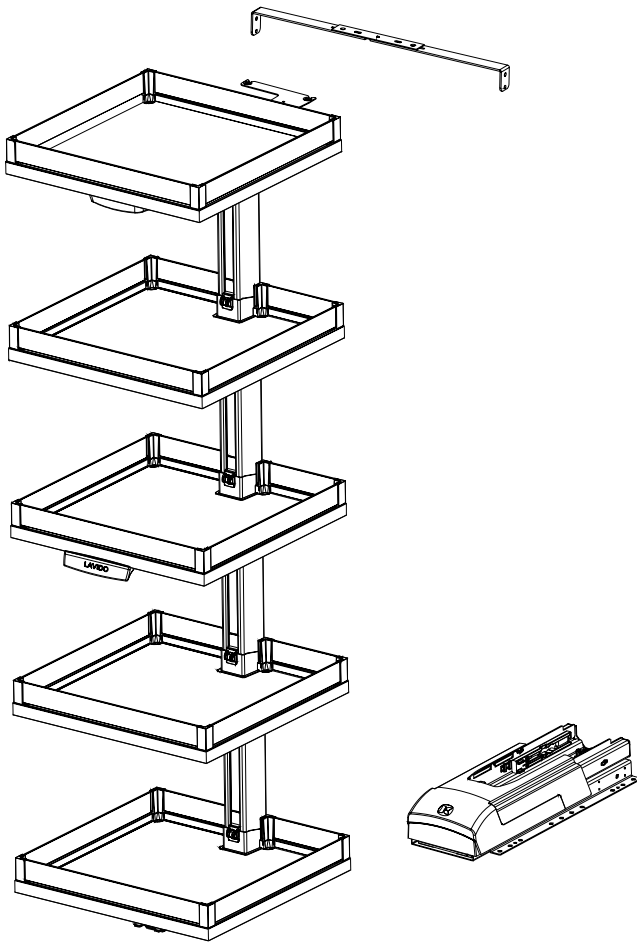
Standard with:



Optional with:

eTouch®

CONVOY LAVIDO



Your Benefit:

- Storage solution for different front options and applications
- Can be combined with sliding doors, etc.
- Access and transparency from three sides

CONVOY Lavido is a versatile solution in many situations, apart from the kitchen.

CONVOY Lavido Set

Set consisting of:

Part 1 Frame

Inside cabinet width (mm)	Cabinet width (mm)	Colour gallery/bottom	Art. No.
412	450	Chrome/Ice White	280643 0005
		Anthracite/Anthracite	280646 9846
562	600	Chrome/Ice White	280644 0005
		Anthracite/Anthracite	280647 9846

Inside cabinet height $\geq 2,000$ mm

Part 2 Tray set

5 shelves, 5 accessory boxes, 1 stabilisation bar, 1 handle, 1 support angle

Part 3 Runner

with premounted SoftSTOPPro

eTouch (optional)

002401 7930



CONVOY Premio: EVERYTHING IN EASY REACH

KESSEBÖHMER



Extremely flexible and very good looking.

The CONVOY Premio highlights the versatility of the whole CONVOY family. The CONVOY Premio moves independently of the front panel, so that it combines perfectly with different cabinet concepts – behind sliding doors, for example.

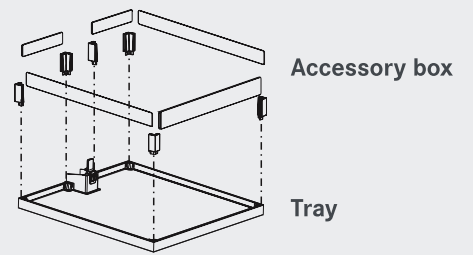
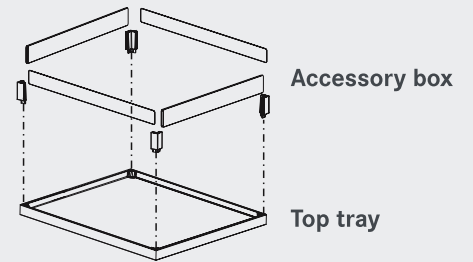
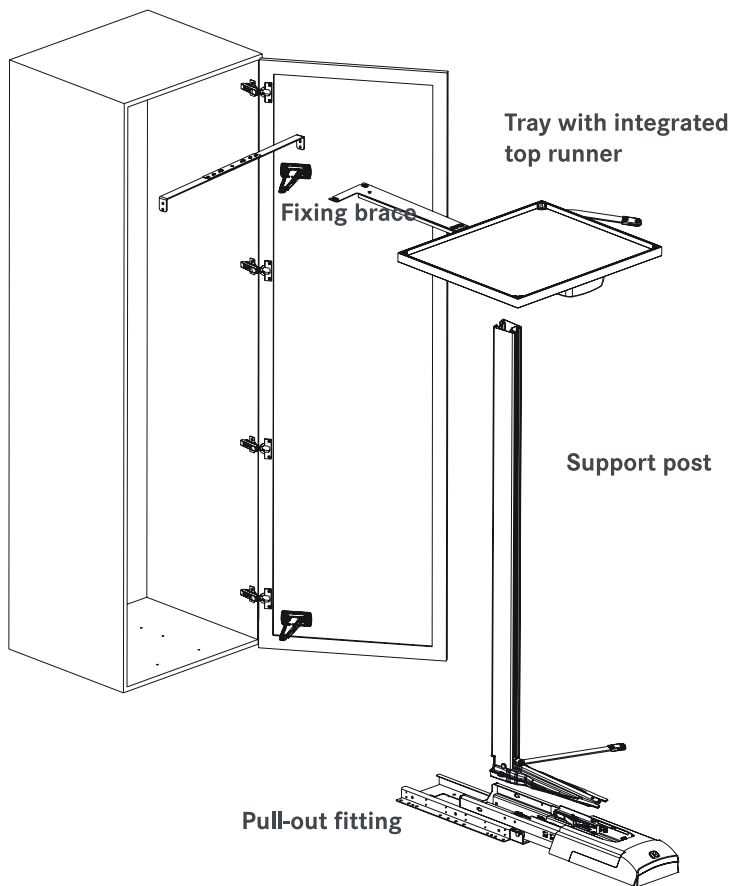
This tall pull-out is an elegant storage solution not only for contemporary kitchens, but for wider use, for example, in dining rooms or offices. A number of intelligent details make it a high-end technical product.



reddot design award



CONVOY PREMIO



CONVOY Premio Set

Set consisting of:

Part 1

Frame (alignment left or right)

Inside cabinet width (mm)	Cabinet width (mm)	Colour gallery/bottom	Art. No.
562	600	Chrome/Ice White	
Left alignment			280641 0005
Right alignment			280642 0005

Inside cabinet height $\geq 2,000$ mm

Part 2

Tray set

5 shelves, 5 accessory boxes, 1 follower, 1 support angle, 1 connection rod, 2 front connectors

Part 3

Runner

with premounted SoftSTOPpro

eTouch (optional)

084247 7930

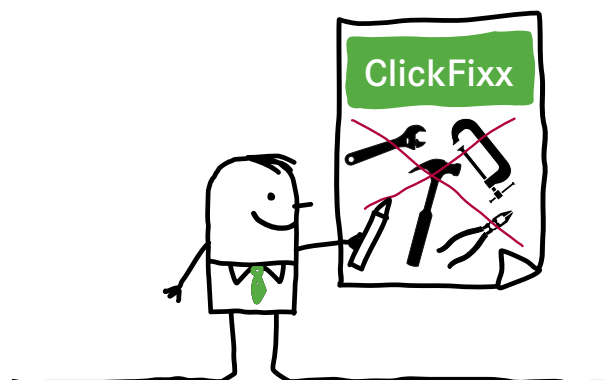




DISPENSA 90° – STORAGE FOR EASY ACCESS

 KESSEBÖHMER

Each tray or basket can be individually hung at a height to suit the contents, making DISPENSA 90° a flexible solution providing a lot of storage with a very small footprint. The entire height and width of the unit can be fully utilised. It makes best use of available space, and supports good organisation and fast access. All the contents, even on the topmost shelf, are in clear view – from either side!





DISPENSA 90° VVS

Set consisting of:

Part 1 Frame

Inside cabinet width (mm)	Cabinet width (mm)	Colour gallery/bottom	Art. No.
260	300	ARENA style	
		Chrome/Ice White	260062 0005
360	400	ARENA style	
		Chrome/Ice White	260063 0005
260	300	ARENA pure	
		Anthracite/Anthracite	260645 9846
360	400	Anthracite/Anthracite	260648 9846

Inside cabinet height \geq 1,900-2,200 mm

Part 2 Tray set ARENA style 5 shelves

Part 3 Runner with premounted SoftSTOPPplus and SoftSTOPPpro

eTouch (optional) 084247 7930

Utility Tray	Dimensions (mm)	Art. No.
	BxDxH	
	465 x 85 x 33,5	
	Space:	
	462 x 79	
Utility Tray Anthracite		235227 9846
Utility Tray Ice white		235227 9966



No. 15 DISPENSA

Set consisting of:

Part 1 Frame

Inside cabinet width (mm)	Cabinet width (mm)	Colour gallery/bottom	Art. No.
112	150	ARENA style Chrome/Ice White	260064 0005
112	150	ARENA style Anthracite Anthracite/Anthracite	260647 9846

Inside cabinet height \geq 1,900-2,300 mm

Part 2
Front Bracket
DISPENSA 150 mm

Part 3
Tray set ARENA style
5 shelves

Part 4
Runner
with premounted SoftSTOPPplus

Part 5
Divider ARENA style
for 150 mm tray
10 pcs

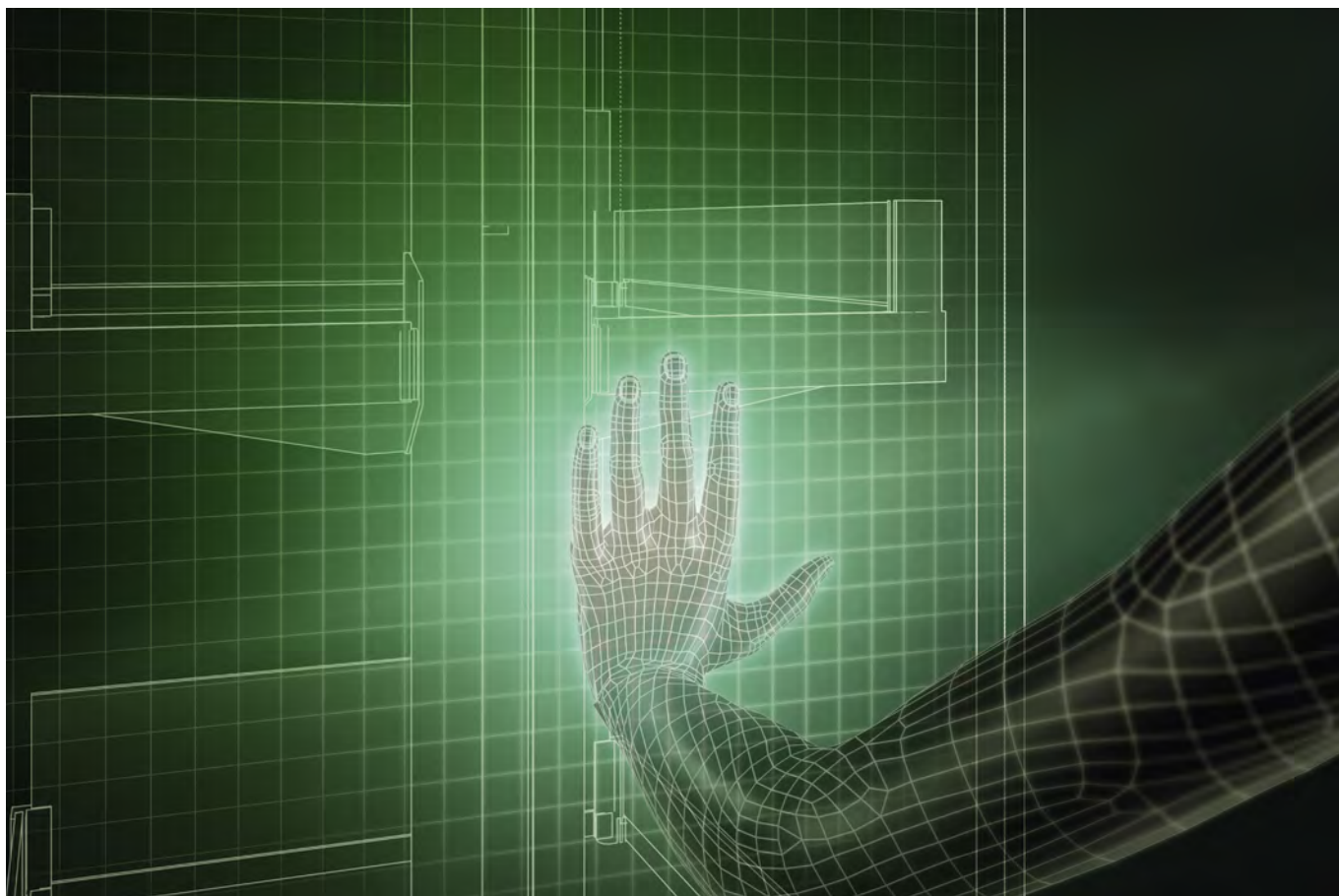
Standard with:



ARENAplus
anti-slip finish







eTouch

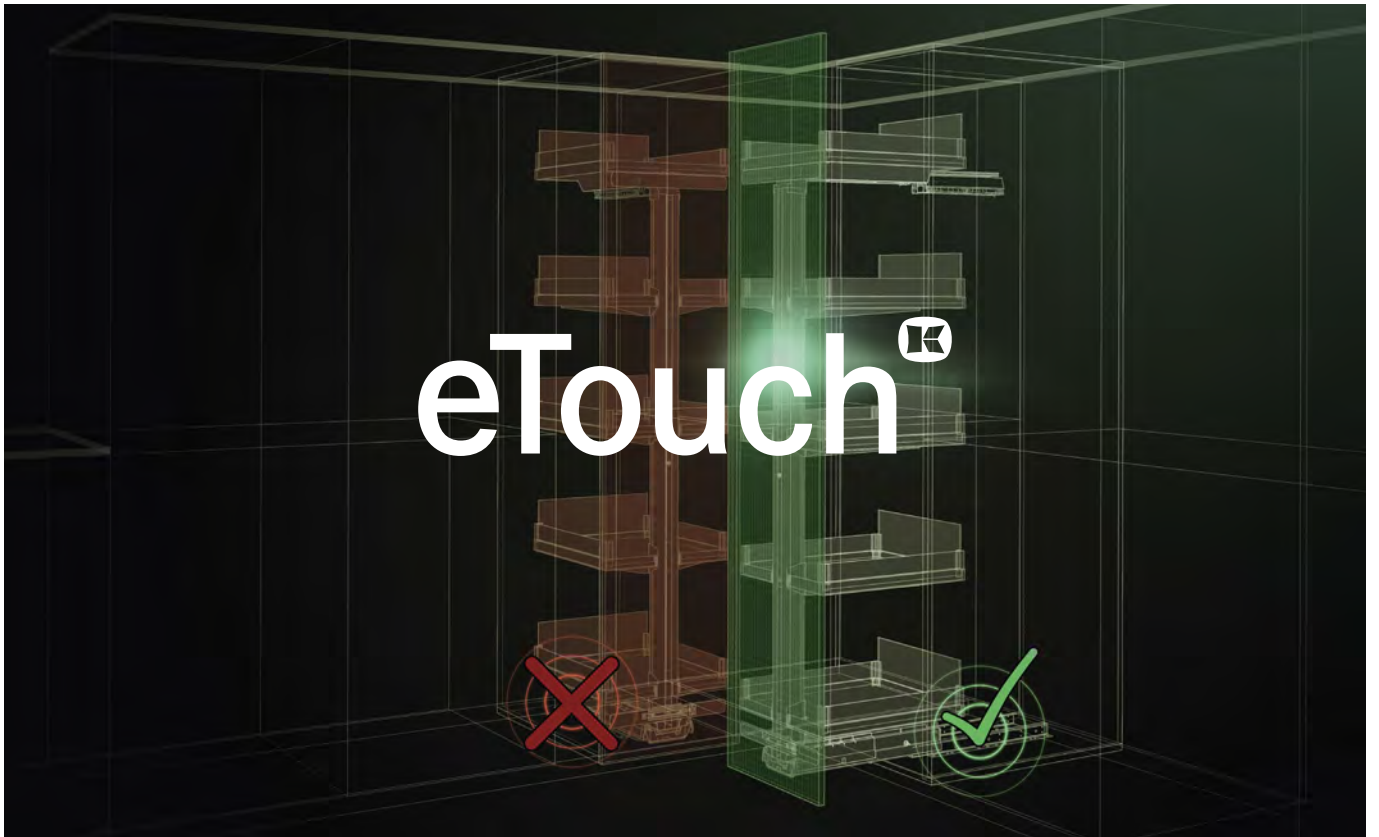
ELECTRONIC MOTION SUPPORT INTUITIVE AND RETROFITTABLE

 KESSEBÖHMER

eTouch OPENS UP CUPBOARDS – AND NEW POTENTIAL. IT'S NEVER BEEN SO EASY AND ELEGANT TO OPEN STORAGE UNITS! Gentle pressure anywhere on the front panel – use your hand or even your elbow or knee – starts the fully automatic opening sequence. In any storage unit – from tall cabinet to wall unit eTouch operates smoothly with the proven Kesseböhmer pull-out and lifter technology. That's why it's also quick and straightforward to retrofit.

Depending on the fitting, the cabinets can not only be opened but also closed!

In addition to big gains in convenience and user-friendliness, eTouch offers new potential for kitchen planners. No-handle cupboards that open automatically and effortlessly are right in line with the trend for streamlined kitchen designs and smooth runs of kitchen fronts. But above all, eTouch makes kitchen work far easier day in, day out.



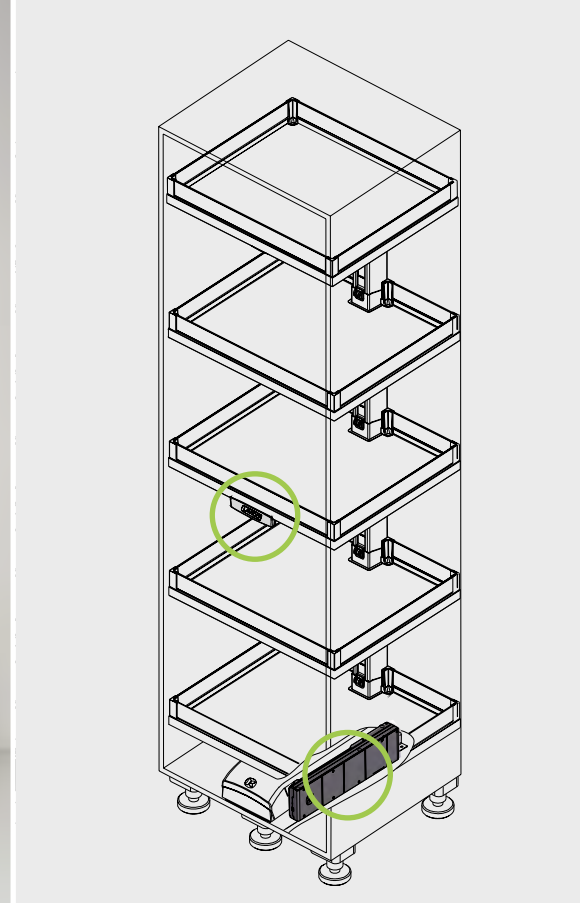
WITH ANY AUTOMATED PROCESS, SAFETY IS OF PARAMOUNT IMPORTANCE

— KESSEBÖHMER —

There's no risk of a collision with the front of a second wall or base unit installed at right angles to the first, because the sensors communicate wirelessly with each other.

The fact that the eTouch system needs no reaction gap between the front panel and the carcass helps to simplify kitchen planning, for example, when highboards with different functionality stand side-by-side. eTouch works perfectly with units fitted with seals.





eTouch for CONVOY Lavidó

Suitable for all CONVOY Lavidó cabinet widths – can be retrofitted!
Set (consisting of handle and motor)

With GB/UK plug

Product code

002401 7930

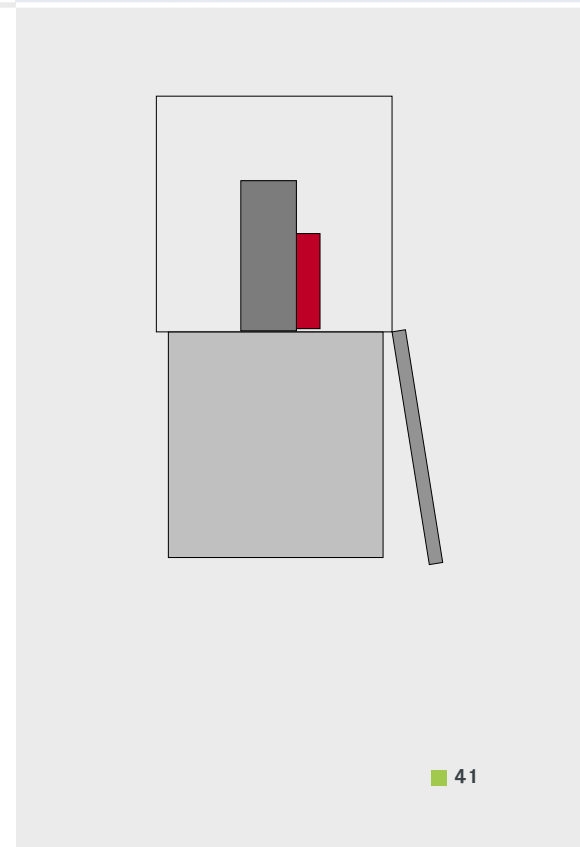
Colour code:
Grey 7930



Assembly	Glue in place
Power supply	Battery CR 2032 3V (supplied)

Motor

Mains connection	Euro 8 as per EN 60320/C8; 1.5 m cable Black
Voltage	110-240 V AC, 50/60 Hz, ≥ 2 A
Rated power	60 Watt
Standby power	<1 Watt
Dimensions	388 x 48 x 100 mm (L x B X H)
Weight	1.2 kg
Max. pull-out weight	120 kg
Housing colour	Grey (7930)
Product compatibility	CONVOY Lavidó with SoftSTOPPpro and SoftSTOPPplus
Assembly materials (supplied)	3 wood screws 4.5 x 100
Motor position	Beside and to right of the runner
Electrically assisted	Full opening and closing

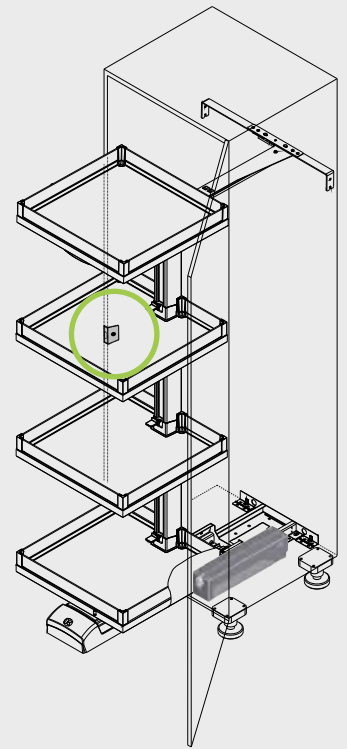




Install in predrilled cup hole so that front sensor is perfectly integrated into the carcass.



Install using adapter to take the sensor. Ideal for fronts with grip recesses



Product code

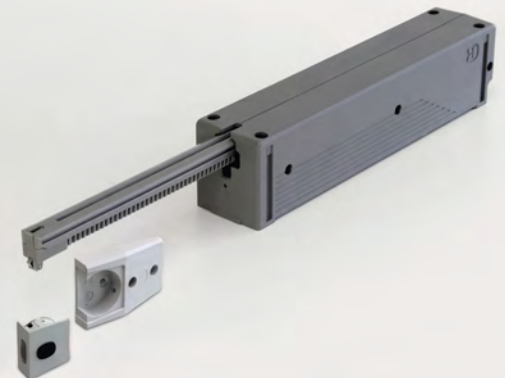
eTouch für CONVOY Premio

Electrically assisted: full opening and closing for all cabinet widths - can be retrofitted! Set (consisting of motor, front sensor and adapter for front sensor assembly). Identical to set for DISPENSA

With EU-DIN plug
With GB/UK plug
With US/JP plug
With AUS plug

084246 7930
084247 7930
084248 7930
084249 7930

Colour code:
Grey 7930

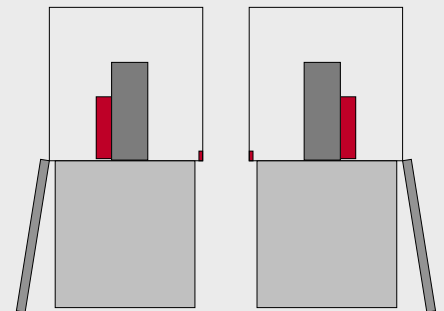


Assembly front sensor

Without adapter	Predrilled cuphole / insert (assembly aid supplied)
With adapter	Screw in place / insert
Power supply	Battery CR 2032 3V (supplied)

Motor

Mains connection	Euro 8 as per EN 60320/C8; 1.5 m cable Black
Voltage	110-240 V AC, 50/60 Hz, ≥ 2 A
Rated power	60 Watt
Standby power	<4 Watt
Dimensions	333 x 68 x 77 mm (BxDxH)
Weight	1.6 kg
Max. pull-out weight	CONVOY Premio: 120 kg
Housing colour	Grey (7930)
Product compatibility	CONVOY Premio with SoftSTOPPro and SoftSTOPPlus
Assembly materials (supplied)	4 wood screws 4.5 x 75, assembly aid
Motor position	CONVOY Premio: hinge side
Electrically assisted	Opening





LET ME SHOW YOU MY STORES. TANDEM!

 KESSEBÖHMER

Good storage fittings are designed with specific goals in mind. Of key importance are making the most of the available storage space, ensuring a clear overview and quick and easy access to all the contents.

These are goals where Kesseböhmer's TANDEM scores double.





Trays can be fitted at different levels

Generous storage space in the door shelf

Standard with:

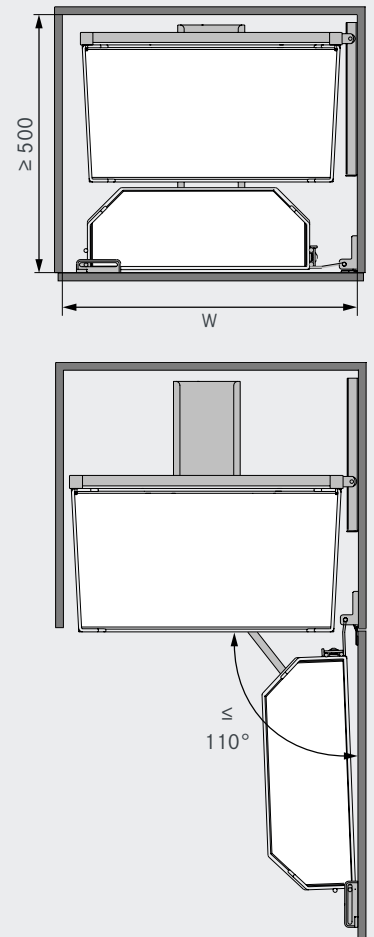


ARENA plus
anti-slip finish

Your Benefit:

- TANDEM depot – supermarket shelf-type storage at home
- Split storage – front + rear shelf units – for a better overview and more transparency
- Emotional movement sequences: The front (door) shelf swings open with the door; The rear shelf is automatically drawn forward
- Same frame for left and right installation – simplifies planning – independent of cabinet height
- Mature, reliable runner system

TANDEM – the exclusive storage solution



TANDEM 4-tier

Set consisting of:

Part 1 Frame

Inside cabinet width (mm)	Cabinet width (mm)	Colour gallery/bottom	Art. No.
ARENA style			
412	450	Chrome/Ice White	260212 0005
562	600	Chrome/Ice White	260216 0005

Inside cabinet height $\geq 1,100$ mm

Part 2 Tray set ARENA style 4 shelves



TANDEM 5-tier

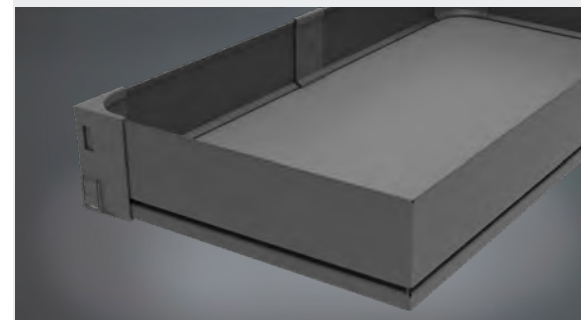
Set consisting of:

Part 1 Frame

Inside cabinet width (mm)	Cabinet width (mm)	Colour gallery/bottom	Art. No.
ARENA style			
412	450	Chrome/Ice White	235392 0005
		Anthracite/Anthracite	235833 9846
562	600	Chrome/Ice White	235393 0005
		Anthracite/Anthracite	235834 9846
ARENA pure			
562	600	Anthracite/Anthracite	260866 9846

Inside cabinet height $\geq 1,700$ mm

Part 2 Tray set ARENA style 5 shelves



Perfectly organized storage with the thoughtful range of box sizes and clever dividers

Door shelf with height-adjustable trays

STANDARD WITH:

ARENA^{plus}
Anti-slip coating



TANDEM side 4-tier

Set consisting of:

Frame + 4 shelves ARENA style

Inside cabinet width (mm)	Cabinet width (mm)	Colour gallery/bottom	Art. No.
562	600	ARENA style	
		Chrome/Ice White	003670 0005
		Anthracite/Anthracite	003646 9846

Inside cabinet height \geq 1,100 mm



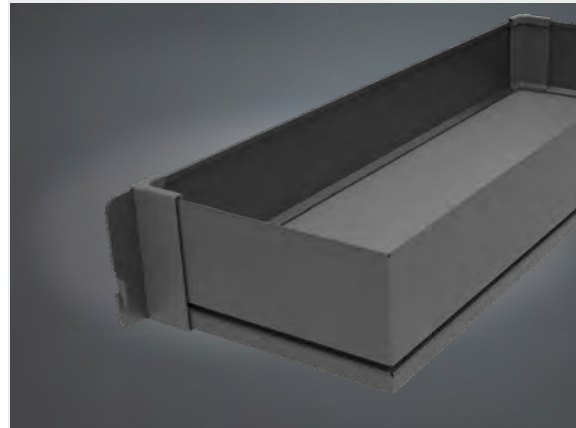
TANDEM side 5-tier

Set consisting of:

Frame + 5 shelves ARENA style

Inside cabinet width (mm)	Cabinet width (mm)	Colour gallery/bottom	Art. No.
562	600	ARENA style	
		Chrome/Ice White	003671 0005
		Anthracite/Anthracite	003647 9846
562	600	ARENA pure	
		Anthracite/Anthracite	003611 9846

Inside cabinet height \geq 1,700 mm

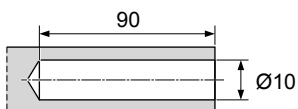


push-to-open (PTO) Typ I for TANDEM side

drill-in ejector

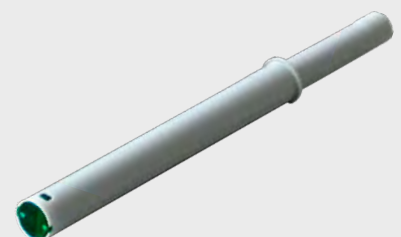
● 17-23 N

Grey 7035



Product code

272072 7035





PERFECTLY TURNED OUT: TurnMotion II

 KESSEBÖHMER

With TurnMotion II, the fitting revolves effortlessly to move any side round to face you. Each tray turns individually by 360° in either direction so that the contents on all four sides move into clear view and easy reach.

This fitting is an ultra-practical solution for storage space that is above the ergonomically accessible height. It's also perfect for the often under-utilized space above integrated appliances.

Stops on each of the four sides lock the tray temporarily in position so that items can be lifted in or out safely. TurnMotion II trays are height adjustable so that you can position them at the height you need. TurnMotion II comes ready prepared for fast, zero-error installation.

The TurnMotion II design concept puts the highest priority on quick and easy assembly and effortless, reliable operation.

The mounting strips are simply screwed onto the carcass sides. This can be done either ahead of the carcass press or later on-site while the kitchen is being installed.

The trays with the premounted support arms are then hooked securely into the mounting strips. No tools required!





TurnMotion

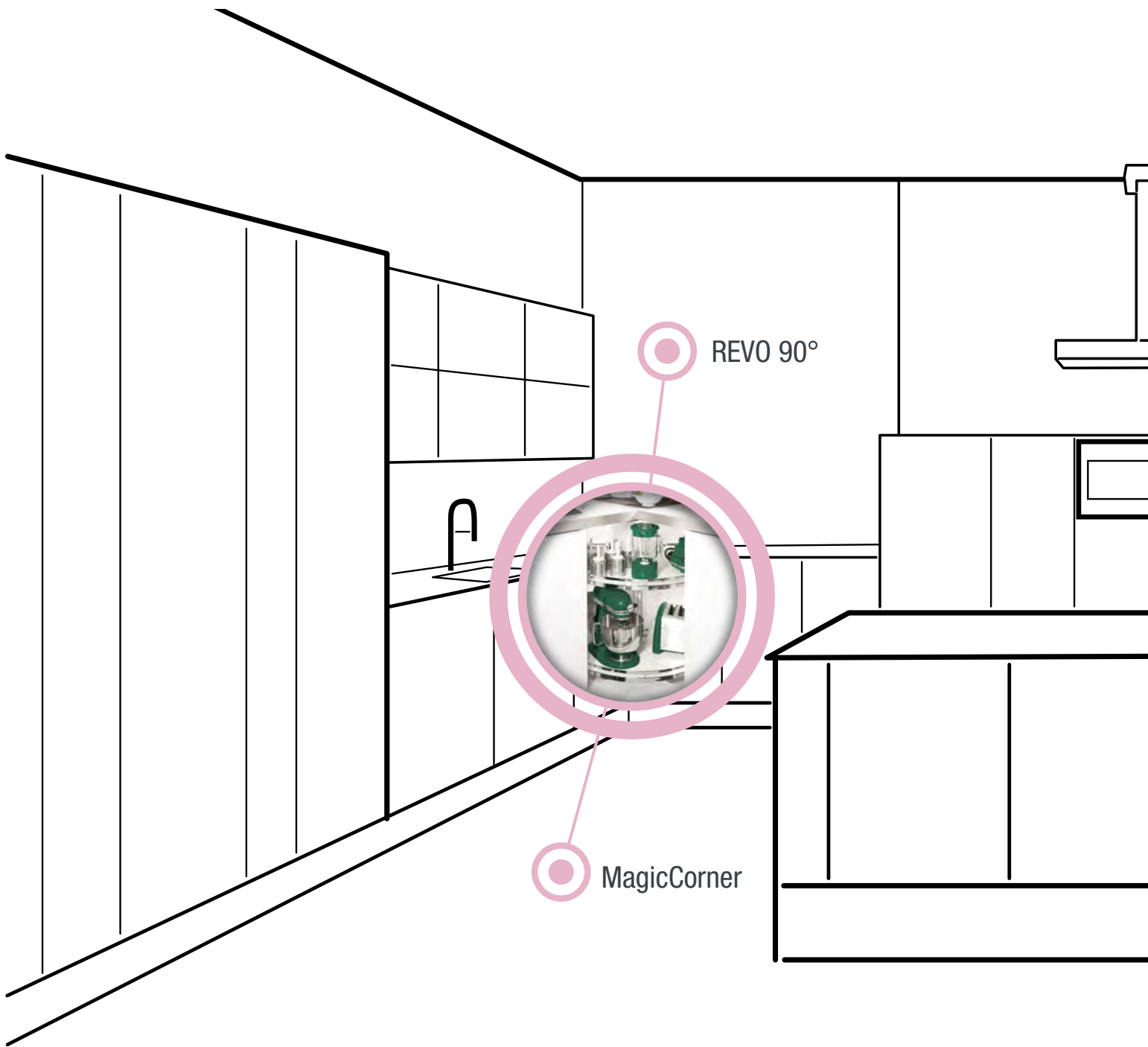
Turntable fitting for storage units,
set consisting of:
1 tray with support arms
1 mounting strip
incl. screws

Cabinet width (mm)	Colour gallery/bottom	Art. No.
	ARENA style	
600	Chrome/Ice White	236340 0005
600	Anthracite/Anthracite	236341 9846
	ARENA pure	
600	Anthracite/Anthracite	236347 9846

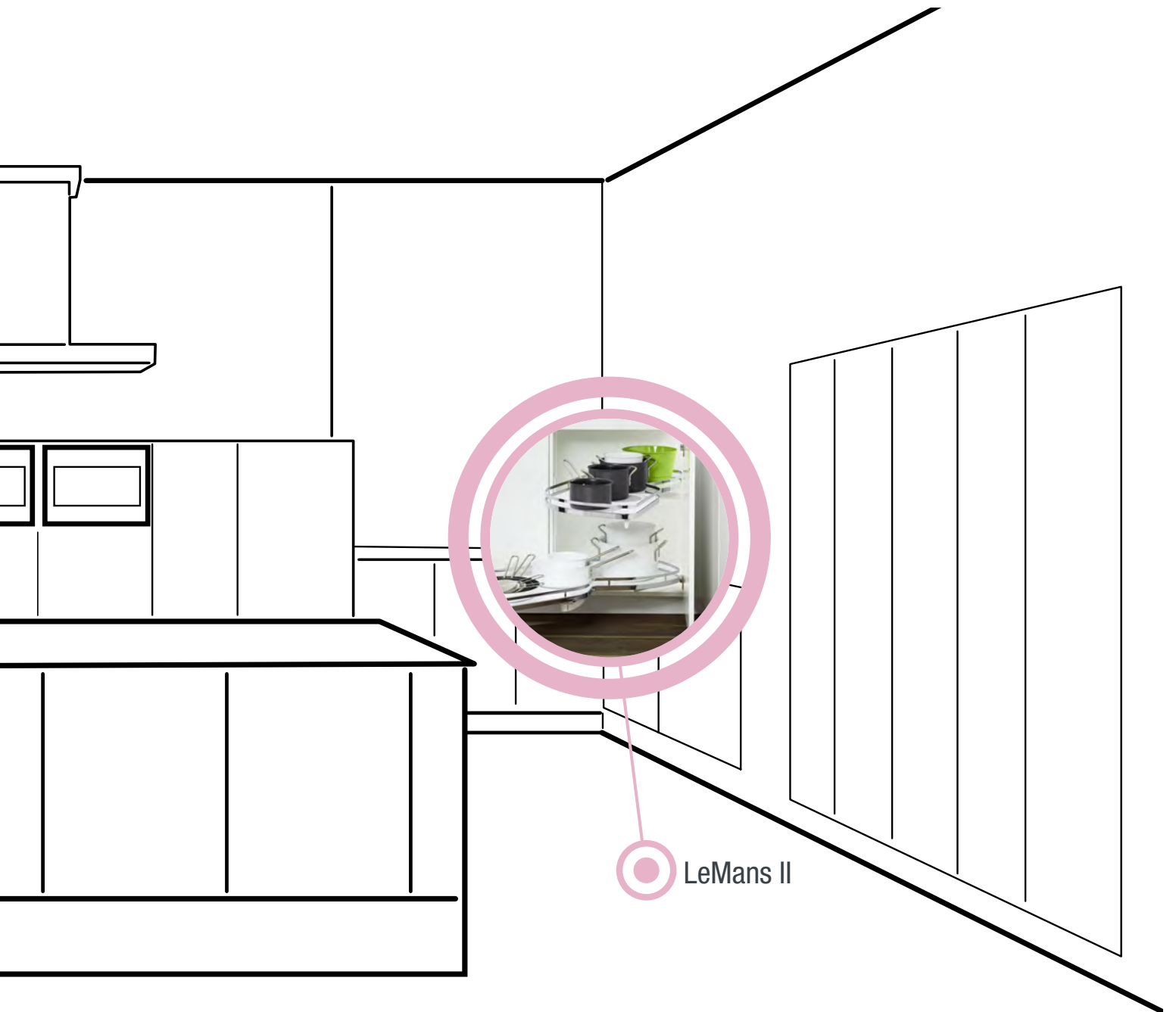
Your Benefit:

- Full access to all the contents by turning the trays.
- No need to clear away front items to reach items at the back.
- Excellent overview of all the contents.
- Well-organized thanks to a perfect overview.





KESSEBÖHMER CORNER CABINETS



Thanks to Kesseböhmer, corner units have taken a turn for the better. They are now firmly established as classic storage areas in a kitchen plan.

A corner unit is the ideal place to store pots and pans, mixers and other kitchen equipment. And development engineers have come up with a lot of alternatives to the classic corner carousel.

LeMans II

OPTIMAL FUNCTIONALITY FOR
FASCINATING EASE OF USE



reddot design award



PLUS X AWARD®



German
Design Award

LeMans offers up to

70%

more storage area
than a base unit with pull-out
drawers next to the blind corner!

WHY USING THE CORNER IS ALWAYS BETTER THAN LEAVING A BLIND CORNER

In addition, the clever design of the trays is an ideal fit for pots and pans, so that the actual, usable space increases by up to 70 %.

Customer demo: put as many pots and pans into a drawer/LeMans tray as will fit comfortably side-by-side (do not stack). Note: contents can even extend beyond the railing of a LeMans adding to space savings and flexibility.

Use of the available space is clearly better and more efficient in a LeMans.

Example



Use of available space
Benefit

1x saucepan Ø 25 cm
1x pan Ø 25 cm
2x saucepan Ø 15 cm
2x pans Ø 15 cm

1x saucepan Ø 25 cm
1x pan Ø 25 cm

1,688 cm²
170 %

981 cm²
100 %

→ Up to 70 % more storage space in a LeMans

LeMans II – SWINGS THE CONTENTS OUT IN FRONT

KESSEBÖHMER

ClickFixx for ultra-easy,
errorproof assembly



With the door opened only 85°,
the trays will run out completely



Newly designed fitting with
height-adjustable trays

Where is the connection between the Le Mans racetrack and Kesseböhmer's LeMans intelligent corner unit solution? It is their instantly recognisable shape and function. Efficiency, innovation and high emotional content are always in the foreground.

With Kesseböhmer's LeMans II, the success story surges ahead with new features and innovations. The intelligent corner unit system is setting new standards with new engineering quality and fascinating movement sequences.

LeMans II



UP TO
50KG LOAD
CAPACITY

LeMans is an extremely robust storage system with a load capacity of up to 25kg per tray. Damped self-closing means whisper-quiet closing even fully loaded. The patented 4-arm articulation system swings the trays out of the cabinet in a smooth and fluid movement. Users select tray heights to suit their needs and cut out wasted space. With optimal access at all times, LeMans makes perfect use of corner space!

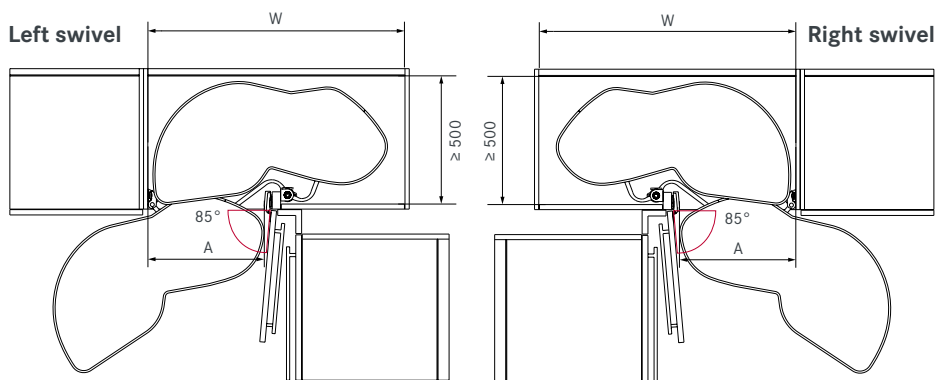


25kg =  

Your Benefit:

- Swinging curves: Fluid, emotion-laden, harmonious action
- Kinematics with 4 pivot points: Minimal force required for silky-smooth movements
- All stored contents swing out in front of the unit
- Easy height changes: The unit adapts to the contents
- Trays move independently
- Solid support arms: 25 kilo payload
- Fully functional at 85° door opening angle: Flexible planning options; No risk of handles colliding
- Multiple interfaces for the assembly process: Easy to integrate in existing production processes

LeMans II – the most elegant and effective way of designing a corner unit



LeMans II

Set consisting of:

Part 1

Frame LEFT swivel

Inside cabinet width (mm)	Tray size (mm)	Colour gallery/bottom	Art. No.
800	450	ARENA style	
		Chrome/Ice White	260571 0005
		Anthracite/Anthracite	260575 9846
960	600	Chrome/Ice White	260573 0005
		Anthracite/Anthracite	260576 9846
800	450	ARENA pure	
		Anthracite/Anthracite	260499 9846
960	600	Anthracite/Anthracite	260589 9846

Frame RIGHT swivel

Inside cabinet width (mm)	Tray size (mm)	Colour gallery/bottom	Art. No.
800	450	ARENA style	
		Chrome/Ice White	260570 0005
		Anthracite/Anthracite	260574 9846
960	600	Chrome/Ice White	260572 0005
		Anthracite/Anthracite	260577 9846
800	450	ARENA pure	
		Anthracite/Anthracite	260498 9846
960	600	Anthracite/Anthracite	260588 9846

Inside cabinet height ≥ 600 mm

Part 2

Tray set ARENA style

2 trays

Part 3

LeMans II Axle, height adjustable 600-750 mm

with damper SoftStopPlus

Standard with:



ARENAplus
anti-slip finish

LeMans II Highboard (see photo on the opposite side)

2 sets of LeMans II are required per cabinet!

Additionally required:

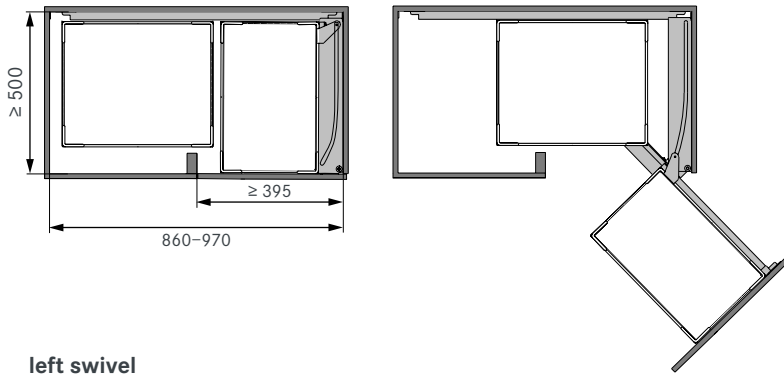
LeMans II Axle for highboard 1250 mm

with damper SoftStopPlus

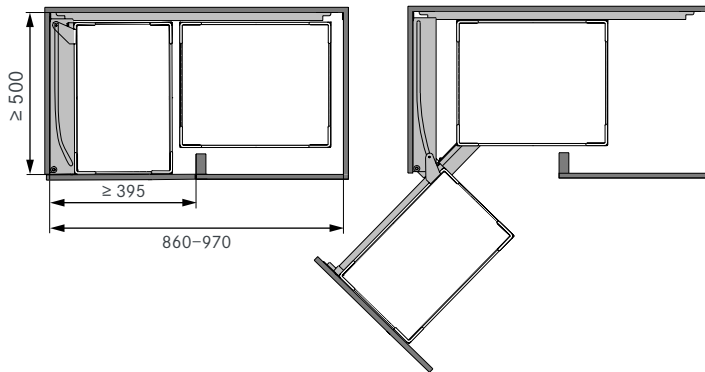
007943 9966



right swivel



left swivel



Your Benefit:

- Amazing technology: The opening movement brings the front section of the unit out in front of the unit, while the back section moves forward for optimal access and ergonomics
- Rectangular trays for rectangular cabinets: very good use of space
- ClickFixx – toolless assembly and simple adjustment

MagicCorner – wizardry for your corner cupboard

Frame Sets ARENA style

all components in brilliant white

Alignment	set no.
right swivel	260401 9966
left swivel	260402 9966

Tray Set ARENA style

Gallery bright chrome, bottom ice white with anti-slip coating

number of trays	set no.
2+2	260400 0005
dimensions of trays (mm)	
frontside:	295x470x75
backside:	390x470x75

Frame Sets ARENA style Anthracite

all components in Anthracite

Alignment	set no.
right swivel	260409 9846
left swivel	260408 9846

Tray Set ARENA style Anthracite

all components in Anthracite with anti-slip coating

number of trays	set no.
2+2	231258 9846
dimensions of trays (mm)	
frontside:	295x470x75
backside:	390x470x75



Frame sets components complete with pull-out
 Incl. damping system SoftSTOPP. Inside cabinet height min. 540 mm
 Set components complete with mounting template
 Max. load capacity per rear shelf = 9 kg
 Max. load capacity per front shelf = 7 kg

Standard with:



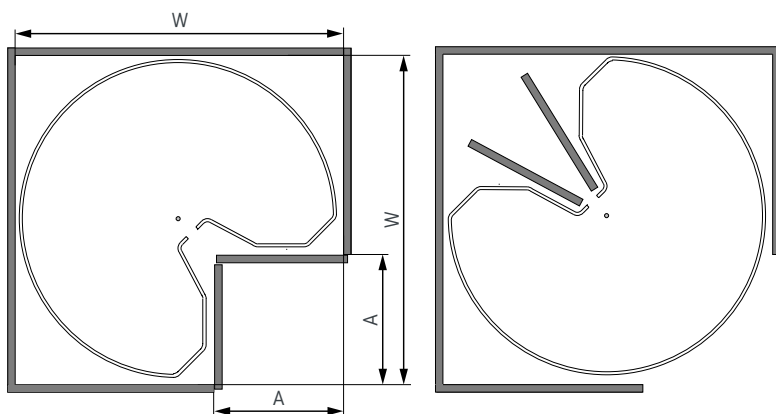


REVO 90°: USER-FRIENDLY CORNER UNIT SOLUTION WHERE FRONT PANELS TURN WITH THE CAROUSEL

 KESSEBÖHMER

Mechanically this system is engineered to ensure a totally controlled movement sequence – the doors fold gently away, the carousel rotates smoothly, the doors close automatically. With rotational damping and REVOfit, it is a pleasure to watch.

With REVOfit, the closing speed can be adjusted quickly and toollessly. Steplessly adjustable trays let users make good use of the storage space.



Cabinet Dimension

Cabinet Dimension (mm)	900
W	≥ 850
A	321–339

Your Benefit:

- The front panel slides into the cupboard as it opens
- Stepless tray height changes: Optimal use of space – ideal for tall pots and kitchen machines
- Closing speed can be customised at any time
- Simplifies planning, assembly and logistics
- Combines mature technology with innovative details
- Transparency thanks to rotating trays

REVO 90° – round solution for square corners

REVO 90

Set consisting of:

Part 1 Frame

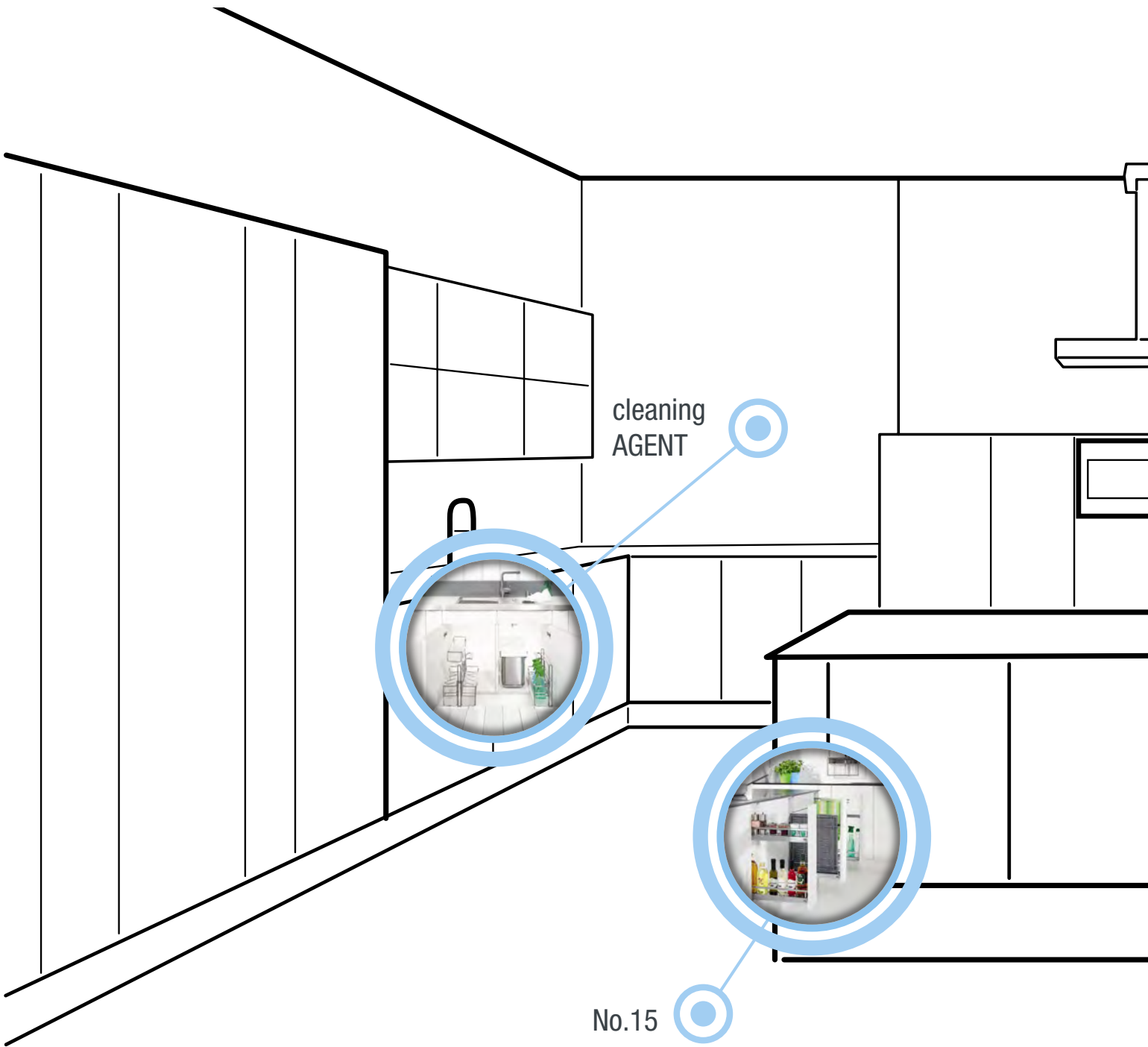
Inside cabinet width (mm)	Cabinet width (mm)	Colour gallery/bottom	Art. No.
900	932	ARENA style Chrome/Ice White	260566 0005
		Anthracite/Anthracite	260567 0005
900	932	ARENA pure Anthracite/Anthracite	260568 9846

Inside cabinet height ≥600 mm

Part 2 Tray set ARENA style 2 trays

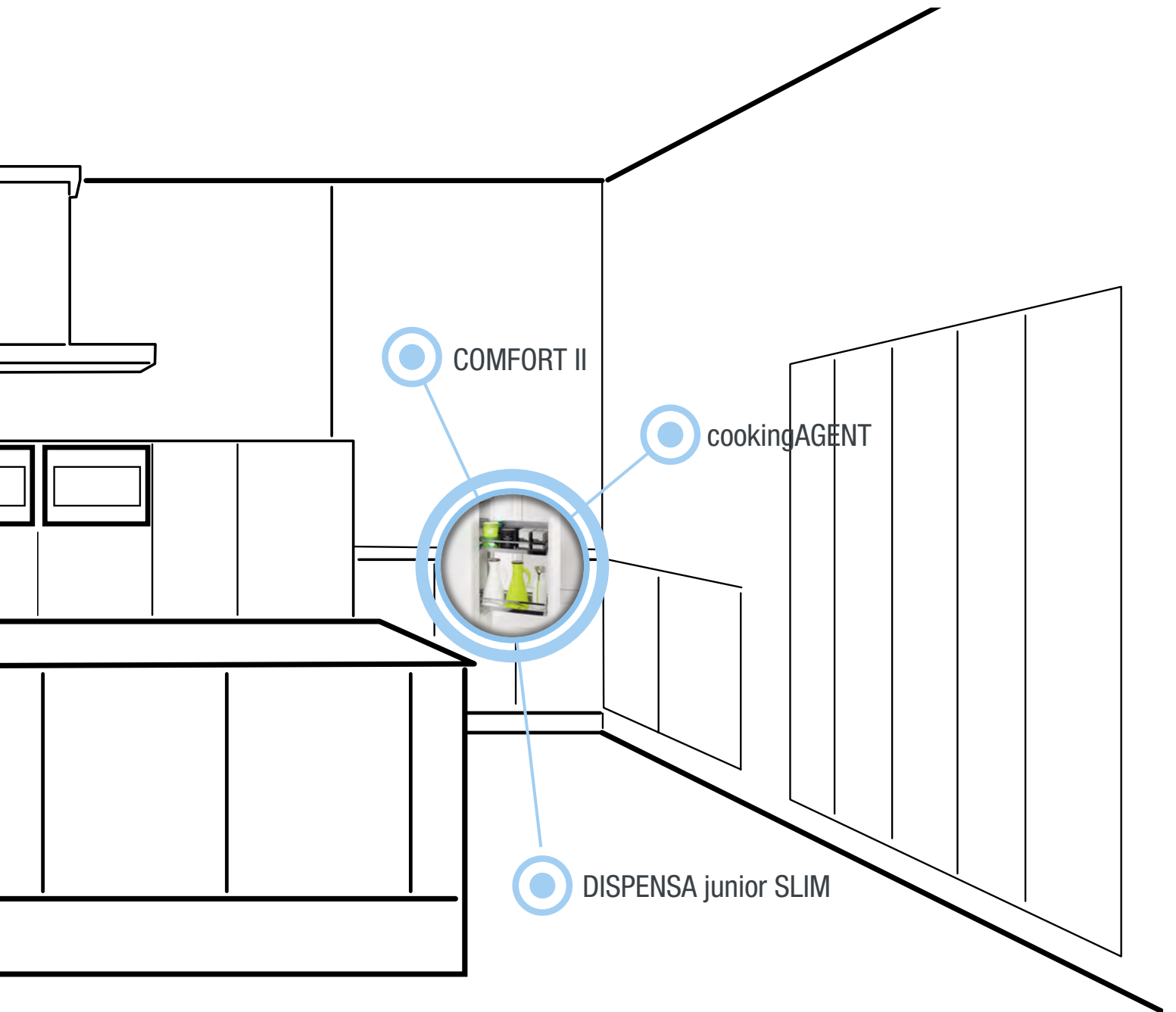
Damping system SoftStoppPlus, adjustable closing speed.





”

KESSEBÖHMER BASE CABINETS



To make intelligent use of the whole width of a kitchen, you need a fitting that moves the stored items out in front of the cabinet – so that you have a clear view and easy access. Regardless of whether you want to store cleaning agents, a mixer, or a pressure cooker, the most practical solutions are content-specific pull-outs. They make best use of the available space and guarantee easy access.



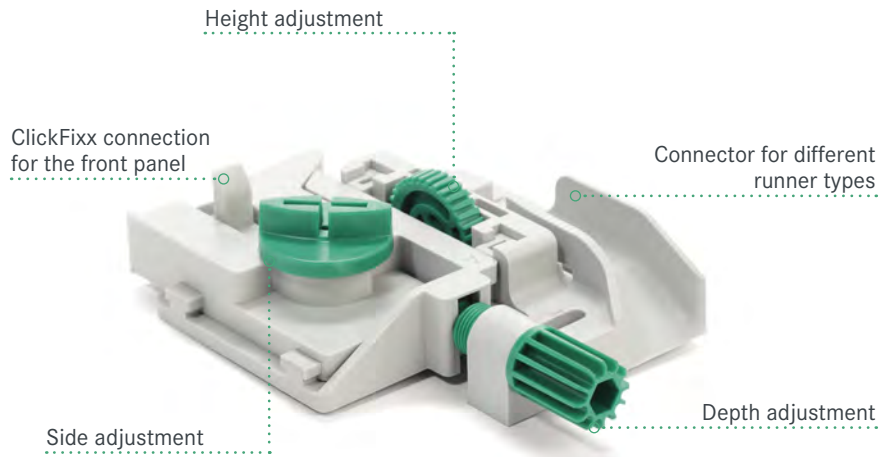
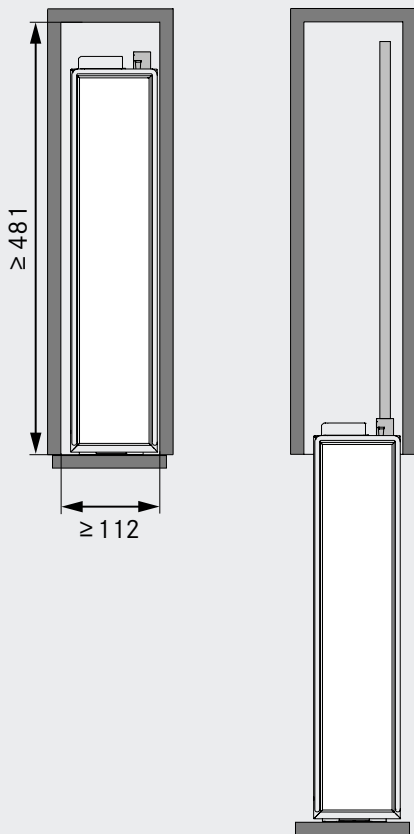
No.15 USE THE NARROWEST NICHE

KESSEBÖHMER

Good
ideas

fit in everywhere. With its Kesseböhmer pullouts, the No.15 cabinet is much more than just a welcome filler. When placed by

the oven, the No.15 pullouts are the convenient solution for spices or the indispensable towel. The high quality chrome equipment lends even these smallest cabinets in the kitchen that special touch of elegance.



Your Benefit:

- Larder unit solutions for carcass widths from 150 mm
- A lot of space for spices, towels and trays
- Make practical use of even narrow gaps
- A slim pull-out: Minimum width (from 112 mm) – maximum flexibility
- 3D front adjustment: Perfect gap alignment in minutes

No. 15 Narrow unit – substantial benefits

No. 15 - Bottle pull-out style

Set consisting of:

Part 1 Frame

Inside cabinet width (mm)	Cabinet width (mm)	Colour gallery/bottom	Art. No.
112	150	Chrome/Ice White	233461 0005
		Anthracite/Anthracite	233461 9846

Inside cabinet height ≥ 540 mm

No. 15 - Towel pull-out style

Set consisting of:

Part 1 Frame

Inside cabinet width (mm)	Cabinet width (mm)	Colour gallery/bottom	Art. No.
112	150	Chrome/Ice White	233461 0005
		Anthracite/Anthracite	233461 9846

Inside cabinet height ≥ 590 mm

The high quality chrome equipment lends even these smallest cabinets in the kitchen that special touch of elegance.





COMFORT II – THE SPECIALIST IN GREAT TASTE

 KESSEBÖHMER

Ultra-easy ClickFixx connection between frame and runner, simple 3D fine adjustment for the front panel, absolutely smooth action, efficient use of space thanks to height-adjustable trays – that's the COMFORT II.

The compact 30-cm base unit pull-out lets users fill every centimetre and customise the pull-out to suit their special requirements. The COMFORT II is ideal for storing cooking ingredients; it provides an amazing amount of storage space plus a clear view of all the contents. The pull-out glides softly and smoothly out in front of the cabinet. Everything needed for a great meal is instantly ready to hand.

Kesseböhmer has added the option of a Utility Tray to its tried-and-tested COMFORT II pull-out. The Utility Tray is the perfect add-on for the COMFORT concept. The Utility Tray is made of a single piece of shaped, powder-coated metal. It was designed to be as deep as possible, but still allow a clear view and easy access to vinegars and oils and other items stored in the lower trays. It offers an amazing amount of storage space to take a lot of container jars.

It's surprising how much space there is in the pull-out and how flexibly it can be used.



Comfort II · 2-tier

Inside cabinet width (mm)	Cabinet width (mm)	Colour gallery/bottom	Alignment	Art. No.
193	250	ARENA style		
		Chrome/Ice White	left	260816 0005
			right	260817 0005
		Anthracite/Anthracite	left	260822 9846
			right	260823 0005
261	300	Chrome/Ice White	left	260820 0005
			right	260821 0005
261	300	ARENA style Anthracite		
		Anthracite/Anthracite	left	260828 9846
			right	260829 9846

Inside cabinet height ≥ 590 mm

Comfort II · 3-tier

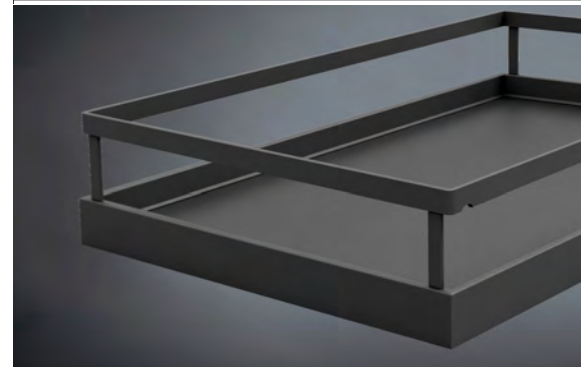
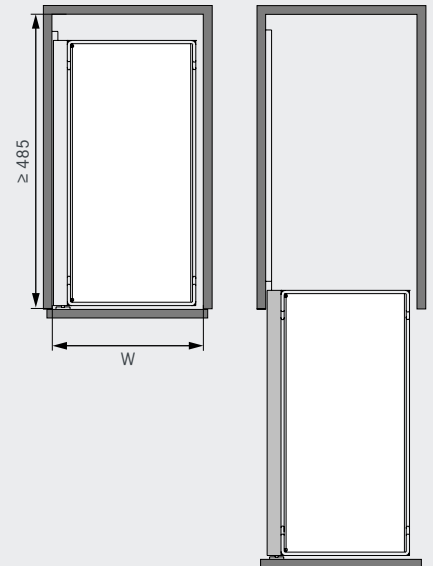
Inside cabinet width (mm)	Cabinet width (mm)	Colour gallery/bottom	Alignment	Art. No.
193	250	ARENA style		
		Chrome/Ice White	left	260814 0005
			right	260818 0005
261	300	Chrome/Ice White	left	260815 0005
			right	260819 0005
193	250	ARENA style Anthracite		
		Anthracite/Anthracite	left	260824 9846
			right	260825 9846
261	300	Anthracite/Anthracite	left	260826 9846
			right	260827 9846

Inside cabinet height ≥ 686 mm

Utility Tray	Dimensions (mm)	Art. No.
	BxDxH	
	79 x 133 x 76	
	Space:	
	476 x 103	
Utility Tray Anthracite		015277 9846
Utility Tray Ice white		015277 9966



Right version shown





DISPENSA JUNIOR SLIM

SMALL.
STRONG.
CLEVER.

The Junior slim in the Dispensa range is a master of small recesses.

Starting from a width of just 200 mm, this modern base unit pull-out provides a perfect view of the stored goods and access from either side. The outstanding stability comes from the centrally guided fitting. Even in the smallest units, individuality is a priority.

Which is why the Dispensa junior slim comes with lots of planning freedom with all the ARENA tray variations. The “everything at your fingertips” effect is rounded off intelligently by the modular YouboXx fittings.

This is orderliness without searching.

DISPENSA junior slim

Set consisting of:

Part 1

Frame

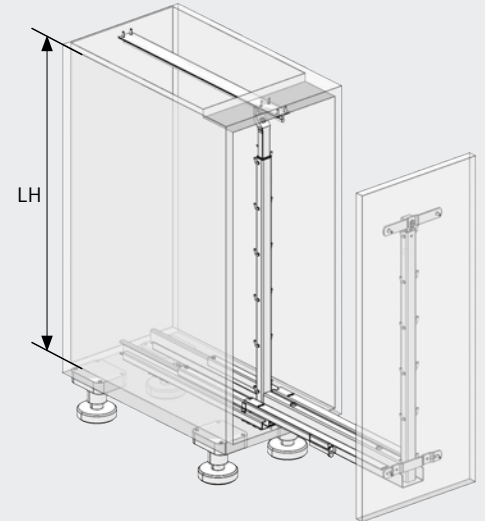
Inside cabinet height 640-728 mm

Part 2

Tray set ARENA · 2-tier

2 shelves

Inside cabinet width (mm)	Cabinet width (mm)	Colour gallery/bottom	Art. No.
ARENA style			
162	200	Anthracite/Anthracite	260633 9846
262	300	Anthracite/Anthracite	260634 9846
362	400	Anthracite/Anthracite	260635 9846
ARENA pure			
262	300	Anthracite/Anthracite	260646 9846



Youboxx Set 1 (optional)

005273 9966

Consisting of:

WxDxH

2 boxes (1.0 L)

115 x 150 x 95

1 box (2.1 L)

115 x 300 x 95

2 boxes (2.0 L)

115 x 150 x 195

1 slotted knife block

2 lids

2 traverse rails

Lid and divider elements white.



Youboxx Set 3 (optional)

005275 9966

Consisting of:

WxDxH

2 boxes (1.0 L)

115 x 150 x 95

2 boxes (2.1 L)

115 x 300 x 95

2 lids

1 divider, large

2 traverse rails

Lid and divider elements white.



Youboxx Set 5 (optional)

005277 9966

Consisting of:

1 chopping board holder

WxDxH

2 boxes (1.0 L)

115 x 150 x 95

1 box (2.1 L)

115 x 300 x 95

2 boxes (2.0 L)

115 x 150 x 195

1 slotted knife block

2 lids

2 traverse rails

Lid and divider elements white.





cleaningAGENT

A PRACTICAL SOLUTION, EASY TO USE
AND EASY TO CLEAN

 KESSEBÖHMER

TOTALLY PRACTICAL, EXTREMELY COMPACT AND MANUFACTURED TO THE HIGHEST STANDARDS. For all its compact design, cleaningAGENT has a lot of practical features and ample space for all your cleaning stuff. The top layer compartments organize sponges, brushes and other implements. Top marks for practicality: the basket with the ergonomic easy-grip handle.

STANDARD WITH:



All plastic elements removable
and washable (dishwasher proof)

Resistant to all commonly available household cleaning materials

Dividers to hold contents safely in place

Carry basket with non-slip rubber feet

Mounted on bottom panel – right or left (can be retrofitted)



cleaningAGENT

consists of:

- 1 system frame
- 1 hook-on basket with easy-grip handle
- 2 large containers
- 1 small container
- 6 dividers

Colour code:

Grey/Silver	025232 0102
Anthracite/ Anthracite	233962 9846
Anthracite/ Silver	233962 0102

Dimensions (mm)

Clear installation
dimensions

BxDxH

298 x 480 x 480

Item no.

025232 0102

233962 9846

233962 0102





WELL-ORGANISED FOR GOOD COOKING: cookingAGENT.

KESSEBÖHMER

It's the modular design that makes a cookingAGENT so versatile and flexible. Users choose the elements they want – and how to organise them. cookingAGENT has space for everything – spices, oils and sauces, chopping boards, knives, even plates and bowls. It's every cook's dream – everything you

need is right where you need it as you cook. cookingAGENT is a true full-extension pull-out that moves all the contents completely out in front of the cabinet. What could be better?

interior
innovation
award

Winner

Streamlined wire surround, one-piece base

Modular design. Arrange and change elements.

All plastic elements dishwasher safe and detachable for easy cleaning.



Standard with:



cookingAGENT

Set consists of:

- 1 system carrier for bottom mounting
- 3 lift-out metal baskets
- 5 lift-out plastic containers
- 1 handle (for inside pull-out)
- 8 dividers
- 1 accessory bag mounting plate
- 1 accessory bag front connectors (for pull-out front panel)

Pull-out, bottom-mounted

Dimensions (mm)

Art. No.

BxDxH

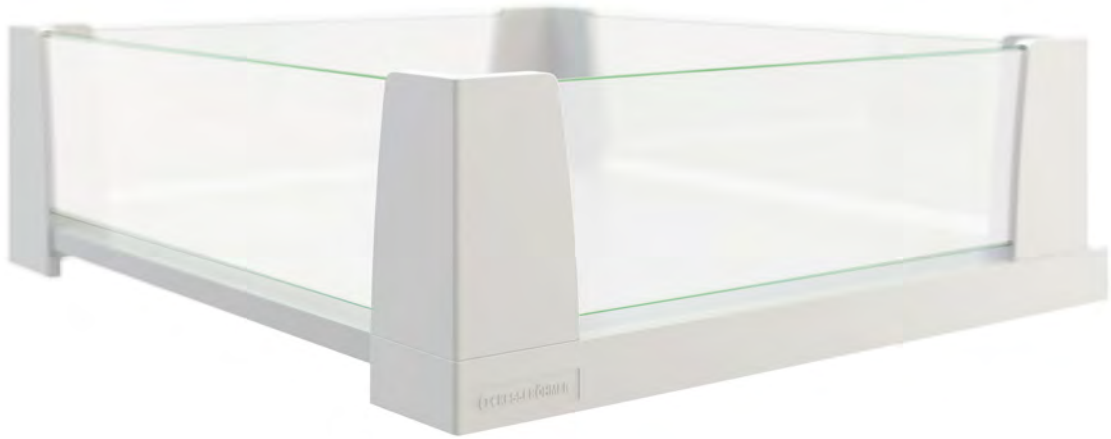
260 x 489 x 625

237778 9846



REDUCED TO THE MAX

— THE ABILITY TO ORGANIZE —



The kitchen is the culinary centre, but it's not the only part of your home that has to meet escalating demands for design, ergonomics, storage space and functionality. Creating a system that is right for any size of room requires creative flexibility in planning and an innovative look – with functionality and style that is right for any area of your home, even wet rooms.

MiO does it all. It's a system of pull-outs for base units, wardrobes, cabinets and beyond developed by Kesseböhmer that successfully blends contemporary design with optimal functionality. Modularity lets you configure custom pull-out solutions to optimize your storage.

It lets you make optimal use of your storage space, with effortless pull-out action, fantastic design and the latest technology – Designed in Germany.

FEATURES & BENEFITS:

- For carcass widths 400 to 900 mm
- High-end look with glass panorama sides as standard
- Modular organization systems for plateware, cookware and cutlery
- Organizable storage for kitchens, bathrooms and living areas
- Easy to clean and care for
- Choice of widths and heights for versatile solutions
- Modern runner technology with easy, effortless action
- balancePRO to compensate for cabinet tolerances



MiO Applications

INDIVIDUAL, VERSATILE AND VARIABLE.

MiO APPLICATIONS

CUSTOMIZE YOUR STORAGE SPACE



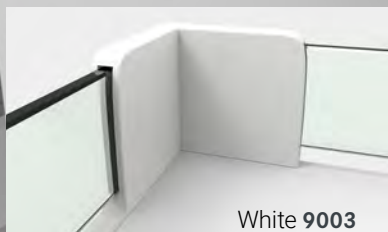
Freely combinable with MiO interior and organization pullouts.



Individually compiled organization pullout for optimum dishes storage.



High-end look with glass panorama front and sides as standard.



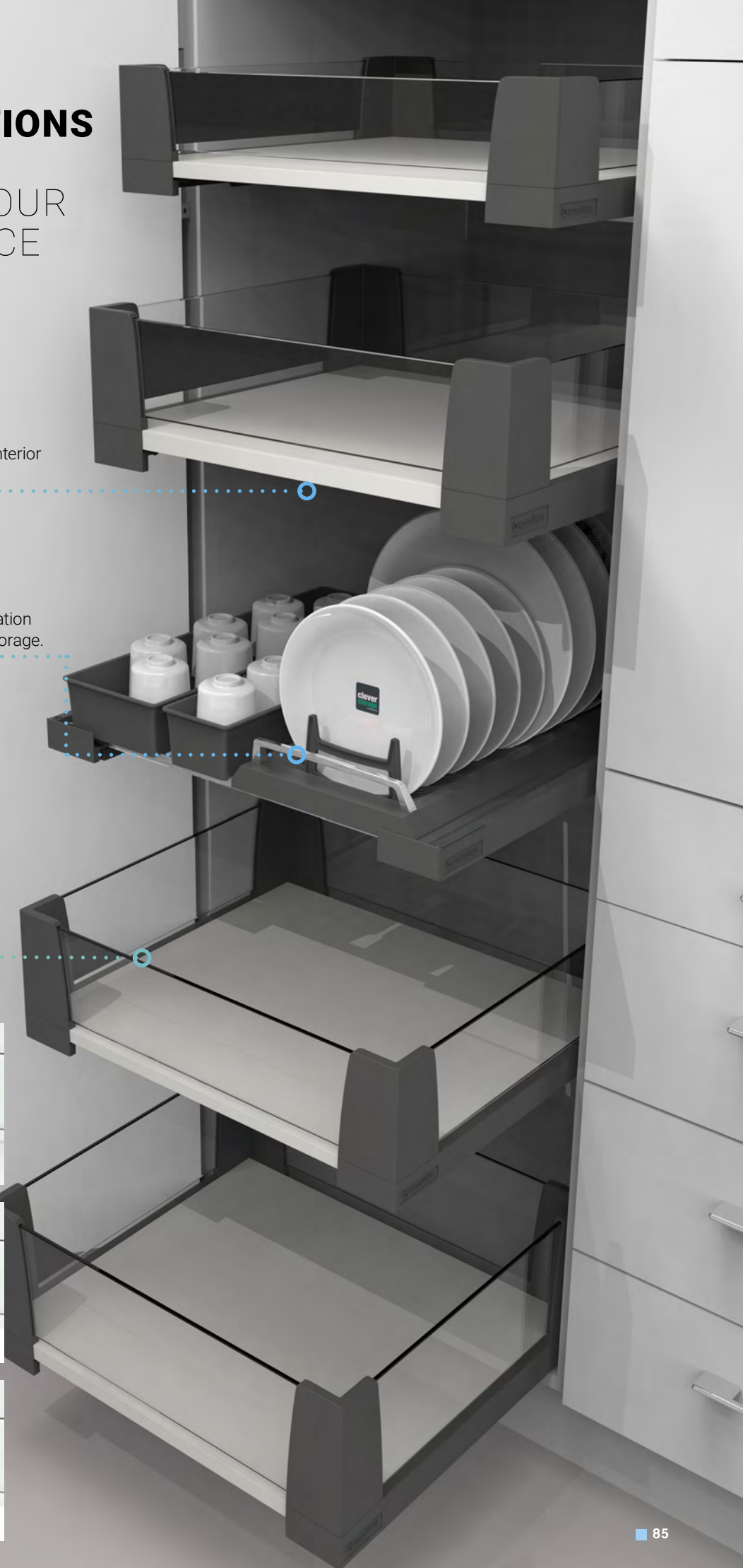
White 9003



Anthracite 7500



Champagne 7039





iMove

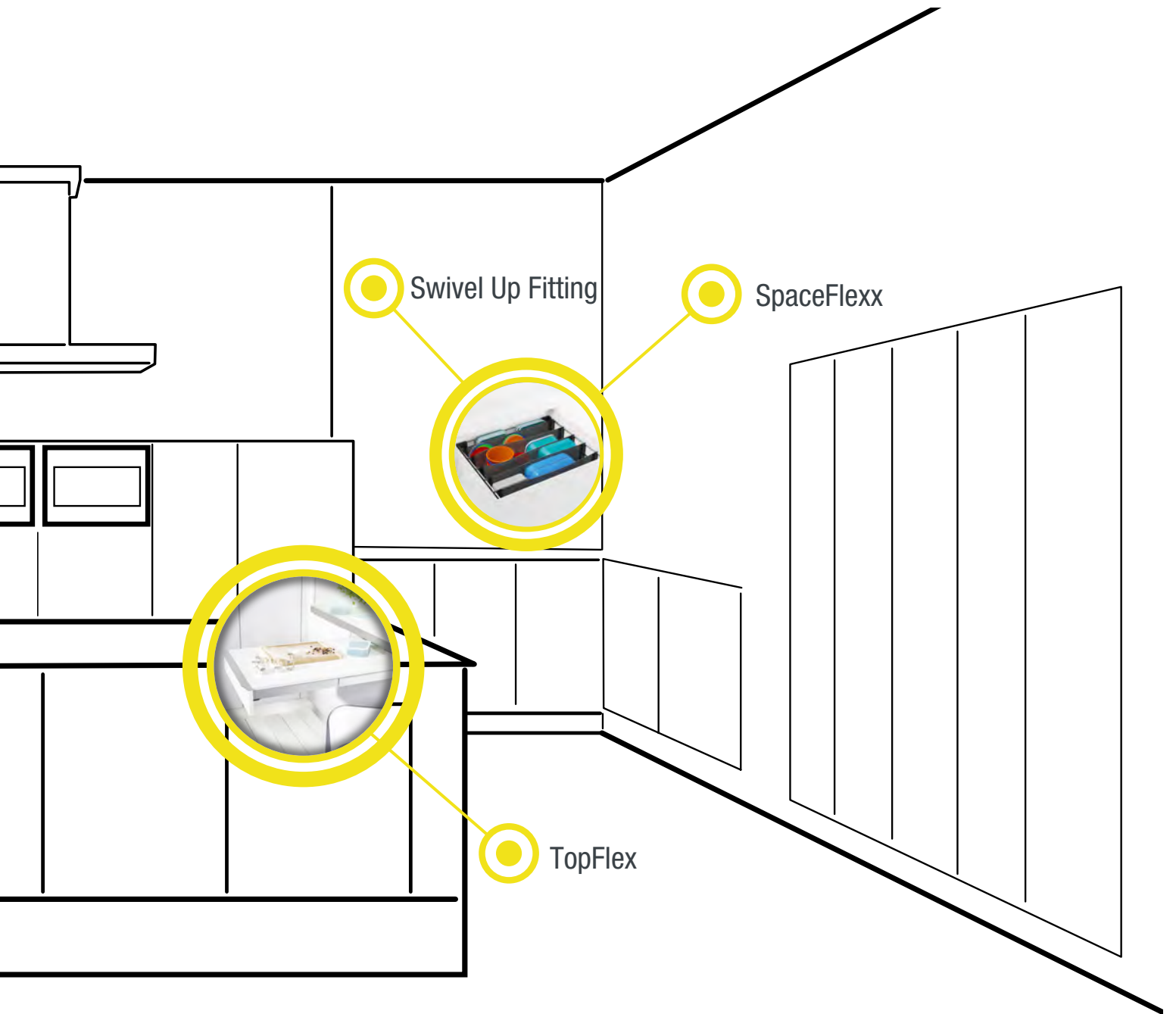


LINERO MosaiQ



”

**KESSEBÖHMER
ACCESSORIES & SP**



Totally practical! Who would not want to cook like a professional? A well-equipped, professional looking kitchen is a step in the right direction. It should combine practicality with stylish design.

SPECIALS

iMove

INTELLIGENT MOVEMENT

KESSEBÖHMER



The iMove fills a gap in the market and its potential for success is based on the law of supply and demand. Before starting development on the iMove, we commissioned extensive research on how people use wall units. The results were clear.

What most people store in their wall units is

1. Crockery and glasses
2. Food, including oils, spices, nibbles and treats.

The iMove was purpose-designed for perfect storage of these

two categories. The basic idea is to split storage functionality between the fixed bottom shelf and the mobile iMove upper shelves. It makes sense to store heavy stacks of plates, for example, on the lower shelf of a wall unit and store the lighter food items, like packets of cereal, at the top in the iMove. It's a logical arrangement and both sorts of items are easy to reach.





iMove · Single Tray

Installation situation

Dimensions (mm)	Hinged door	Hinged door	FREEfold
Hinge protrusion	< 25	> 25	-
Installation height, hinge	65	65	-
Installation depth, iMove	57	57	82
Installation height, iMove	25	80	25
* Carcase heights vary with the individual installation situations.			
Clear inside depth, carcase	270	270	295
Minimum height, carcase*	520	580	650

iMove set single tray

Including fixings:

8 x wood screws 4.5 x 50 mm

1 x drilling template

including side cover caps



Carcase width (mm)	Clear inside width (mm)	Dimensions B x D x H (mm)	Colour	Art. no.
600	562-568	565 x 267 x 380	Anthracite	021702 9846
900	862-868	865 x 267 x 380	Anthracite	021706 9846



iMove · Double Tray

Installation situation

Dimensions (mm)	Hinged door	Hinged door	FREEfold
Hinge protrusion	< 25	> 25	-
Installation height, hinge	65	65	-
Installation depth, iMove	57	57	82
Installation height, iMove	25	80	25
* Carcase heights vary with the individual installation situations.			
Clear inside depth, carcase	270	270	295
Minimum height, carcase*	710	770	710

iMove set double tray

Including fixings:

8 x wood screws 4.5 x 50 mm

1 x drilling template

including side cover caps



Carcase width (mm)	Clear inside carcase width (mm)	Dimensions (mm) B x D x H	Art. no.
600	562-568	565 x 267 x 565	021712 9846





LINERO MosaiQ

VERSATILE, VARIABLE, EYE-CATCHING DESIGN

 KESSEBÖHMER



LINERO MosaiQ is flexible and versatile, offering users a huge choice for configuring the space between the worktop and the wall units. The multi-functional, anodised aluminium rail can be either screwed or glued to the wall, making it ideal for glass splashbacks too. Used as a light strip, it casts a warm-toned, indirect light over the attached elements.

The MosaiQ shelf elements are hung on below the rail or clipped on above it. The shelf elements come in a choice of three heights and two widths. Horizontal strips on the shelf elements accentuate the design. The three sophisticated grey tones of the

mat, tactile coating were chosen in consultation with experts at a well-known design institute. Functional elements include various hooks and single and double roll holders. There is also a specially designed knife block and holders with an angled bases, for example, to take a pot of herbs. LINERO MosaiQ has been launched with ten core applications which users can mix and match as they please. It's the perfect way to make the most of the midway space in kitchens and bathrooms. LINERO MosaiQ elements and LINERO 2000 elements are compatible when they are attached below the rail.



Aluminium rail set

LINERO MosaiQ

- 1 aluminium rail
- 2 end caps
- 1 connector
- Connectors to screw onto wall

Dimensions (mm)

Art. No.

BxDxH	Art. No.
600 x 32.9 x 41.5	0089009845
900 x 32.9 x 41.5	0089019845
1,200 x 32.9 x 41.5	0089029845
1,500 x 32.9 x 41.5	0089039845



Universal shelf 140
LINERO MosaiQ

BxDxH
350 x 110 x 140 **0089129844**

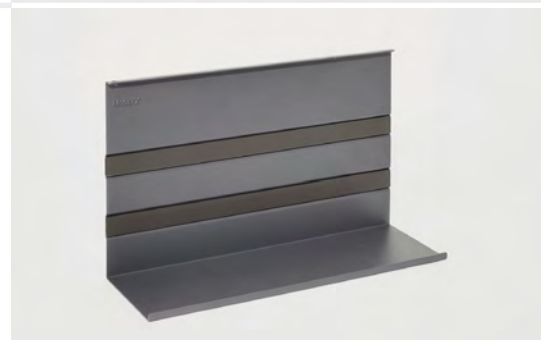
Storage area:
350 x 107



Universal shelf 200
LINERO MosaiQ

BxDxH
350 x 110 x 200 **0089139844**

Storage area:
350 x 107



Universal shelf 300
LINERO MosaiQ

BxDxH
350 x 110 x 300 **0089149844**

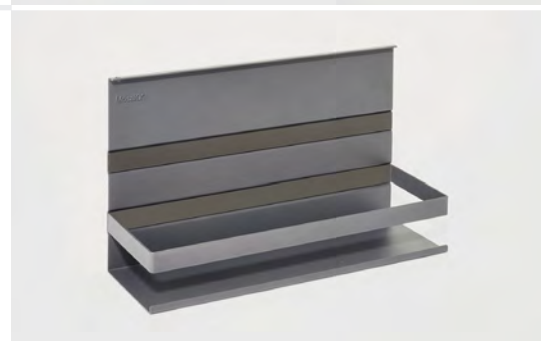
Storage area:
350 x 107



Universal shelf 200 with rail
LINERO MosaiQ

BxDxH
350 x 110 x 200 **0089189844**

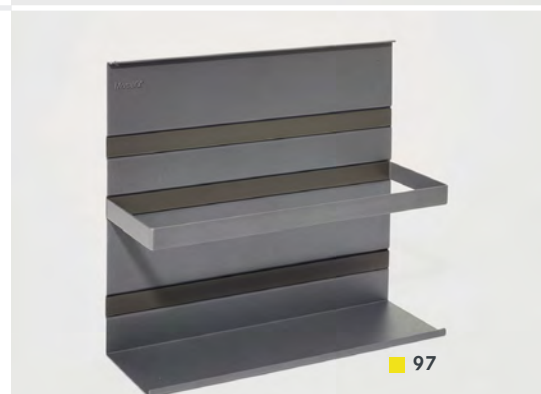
Storage area:
350 x 107



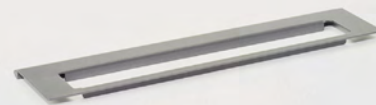
Universal shelf 300 with rail
LINERO MosaiQ

BxDxH
350 x 110 x 300 **0089199844**

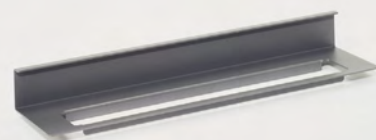
Storage area :
350 x 107



	Dimensions (mm)	Art. No.
Top-mounted towel rail LINERO MosaiQ insert from above	BxDxH 350 x 77 x 10	0089209844



Towel rail LINERO MosaiQ insert from below	BxDxH . 350 x 77 x 46	0089219844
--	--------------------------	-------------------



Double hook LINERO MosaiQ	BxDxH 85 x 44 x 38	0089229844
--	-----------------------	-------------------



Hook strip LINERO MosaiQ	BxDxH 250 x 44 x 38	0089239844
---	------------------------	-------------------



Top-mounted shelf 235 LINERO MosaiQ insert from above	BxDxH 235 x 107 x 8	0089249844
---	------------------------	-------------------



Top-mounted shelf 350 LINERO MosaiQ insert from above	BxDxH 350 x 107 x 8	0089259844
---	------------------------	-------------------



Top-mounted shelf 585 LINERO MosaiQ insert from above	BxDxH 585 x 107 x 8	0089269844
---	------------------------	-------------------



Shelf insert, smoked glass LINERO MosaiQ Available in a choice of widths to fit shelf elements	BxDxH 235 x 106.5 x 4 350 x 106.5 x 4 585 x 106.5 x 4	0089310000 0089320000 0089330000
---	--	---



FineLine LiniQ

PERFECTION IS IN THE DETAIL





Nordic ash 0378



Ash black 0368

Practical and sophisticated

FLEXIBLE DIVIDING



THE NEW „FINELINE LINIQ“ FITTING SYSTEM WAS DEVELOPED WITH THE AIM OF REDUCING COMPLEXITY AS MUCH AS POSSIBLE.

The kits, preconfigured as sets for the interior fitting out of pull-outs and drawers, are presented in three colours: Nordic ash and Ash black.

There are benefits to this system for logistics and for presentation, both resulting from the reduction in different versions. Thanks to the homogenous and consistent look, there is no irritating colour contrast showing through from the base of the drawer. The sets can be used either for chamfered drawer frames or for straight-edged frames.

MULTIFUNCTIONAL INSERTS



F = options for inserting functional elements

Example: 009204 0378 (cutlery insert 1000-1200 mm width)

	Dimensions (mm)	Art. no.	
<p>Cross-shaped divider FineLine LiniQ suitable for the multifunctional insert</p> <p>Colour code: Nordic ash 0378 Ash black 0368</p>	<p>WxDxH 137 x 472 x 37.5</p>	<p>009205 0378 009205 0368</p>	
<p>Spice insert, slanted FineLine LiniQ 3-level, suitable for the multifunctional insert</p> <p>Colour code: Nordic ash 0378 Ash black 0368</p>	<p>WxDxH 137 x 472 x 26</p>	<p>009168 0378 009168 0368</p>	
<p>Knife block FineLine LiniQ suitable for the multifunctional insert</p> <p>Colour code: Nordic ash 0378 Ash black 0368</p>	<p>WxDxH 137 x 472 x 26</p>	<p>009169 0378 009169 0368</p>	
<p>Foil dispenser FineLine LiniQ with two aluminium lids suitable for the multifunctional insert</p> <p>Colour code: Nordic ash 0378 Ash black 0368</p>	<p>WxDxH 137 x 472 x 45</p>	<p>009210 0378 009210 0368</p>	

DEPTH EXTENDERS







Art. no.	Dimensions (mm)	Filler piece (depth extender) for GRASS Nova pro
009208 0378 009208 0368	WxDxH 600 x 7 x 49	up to cabinet width 600 mm
009209 0378 009209 0368	1200 x 7 x 49	up to cabinet width 1200 mm
		Colour code: Nordic ash 0378 Ash black 0368



Art. no.	Dimensions (mm)	Depth extension FineLine LiniQ
009206 0378 009206 0368	WxDxH 600 x 150 x 49	For drawer depths > 500 mm for drawer widths up to 600 mm
009207 0378 009207 0368	1200 x 150 x 49	for drawer widths up to 1200 mm
		Colour code: Nordic ash 0378 Ash black 0368

PULL-OUT DIVIDERS

	Dimensions (mm)	Art. no.	
<p>Wooden box with grip holes FineLine LiniQ</p> <p>Colour code: Nordic ash 0378 Ash black 0368</p>	<p>WxDxH 236 x 472 x 120</p>	<p>009171 0378 009171 0368</p>	
<p>Wooden box, square, with grip holes FineLine LiniQ (Note: 2 square wooden boxes equal the depth of a normal wooden box)</p> <p>Colour code: Nordic ash 0378 Ash black 0368</p>	<p>WxDxH 236 x 236 x 120</p>	<p>009172 0378 009172 0368</p>	
<p>Metal divider with grip holes FineLine LiniQ For wooden box</p> <p>Colour code: Graphite black 9844</p>	<p>WxDxH 225 x 99 x 102</p>	<p>009195 9844</p>	
<p>Plate rack adjustable</p> <p>Colour code: Nordic ash 0378 Ash black 0368</p>	<p>WxDxH 340 x 180 x 191</p>	<p>009197 0378 009197 0368</p>	



This range is suitable for front pull-outs!
Because of their partially reduced inside depth,
inside pull-outs must be considered separately.





FLEXIBLE. It doesn't matter if the drawer is 90 cm wide or more (see picture above): SpaceFlexx fits in any drawer with at least 60 cm front panel width (see picture on the right).

SpaceFlexx is impressive with its optimum use of storage space, adjusting itself perfectly to the stored goods and the drawer.



Set SpaceFlexx

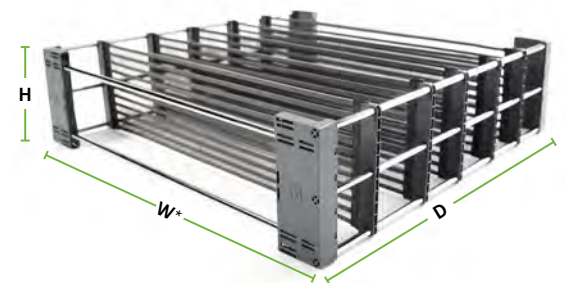
consisting of:

- 1 frame
- 5 flexible nestttx® dividers

Delivery in attractive PoS packaging.

Languages on the packaging:

	WxDxH	Item no.
DE, EN, FR, ES, TR	472/520 x 422 x 130	005361 0005
	472/520 x 452 x 130	005364 0005
	472/520 x 472 x 130	005360 0005
	472/520 x 522 x 130	005362 0005
DE, EN, PL, CZ, RU	472/520 x 452 x 130	005365 0005



*Space Flexx has a width setting of 472 or 520 mm for optimum adjustment to the drawer.



EXTRA WORKING SPACE ON CALL: TopFlex.

 KESSEBÖHMER

Tucked neatly away behind a drawer front, this sturdy, cantilevered pull-out table is ready to use whenever you need the extra working space. The two worktop sections pull outwards and upwards to create a highly practical table. And it disappears back into the base unit within seconds.

Worktop extension fitting TopFlex

extended length (mm)	cabinet width (W)
	450–900 mm
	Art. No.
810	2313250102

Set components complete, excluding table panels cantilevered
Max. load capacity: 30 kg

- Applicable for inside cabinet width of 450–900 mm
- Inside cabinet depth = minimum 500 mm



Tucked neatly away behind a drawer front, this stable, cantilevered pull-out table is ready to use whenever you need the extra working space.



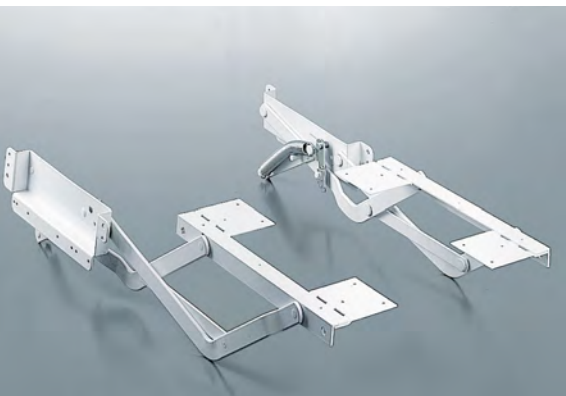
As you pull it out, the “front panel” drops down automatically.



The entire movement sequence is smooth and virtually effortless. Even partially pulled out it can be used as a practical work area.



Pulled fully out, the two halves of the tabletop are completely level and create a highly practical working area.



Swivel Up Fitting

all components in white

installation height
[mm] ≥

for any width

set no.

444

0053009010

usable height: 280 mm
swivel depth: 425 mm
Max. load capacity: 8 kg



K-LINE side

SOLUTIONS FOR THE UTILITY ROOM



Item no.	Dimensions	
	Length	Rail-Set
002146 9846	560 mm	consisting of: 2 rails 4 cover caps
002144 9846	1073 mm	
		Colour number: Anthracite 9846




002148 9846	350 x 110 x 65	Tray
		Colour number: Anthracite 9846

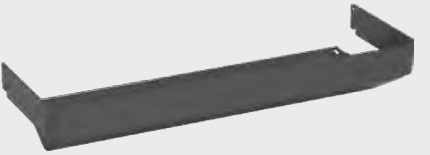


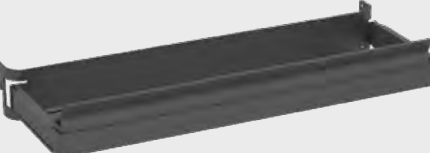
002149 9846	350 x 110 x 65	Tray with Railing
		Colour number: Anthracite 9846





002150 9846	350 x 45 x 60	Support strip with 4 hooks
		consisting of: 4 hooks 1 Support strip
		Colour number: Anthracite 9846


	Dimensions	Item no.	
Hook Rail with 5 hooks Colour number: Anthracite 9846	350 x 32 x 50	002156 9846	

Paper Roll Tray Colour number: Anthracite 9846	350 x 120 x 65	002154 9846	
---	----------------	--------------------	---

Roll Tray ROLLINERO with tear-off edge Colour number: Anthracite 9846	350 x 145 x 70	002155 9846	
--	----------------	--------------------	---

Carrying Box for cleaning products consisting of: 1 Carrying Box 1 Support strip Colour number: Anthracite 9846	442 x 160 x 315	002151 9846	
---	-----------------	--------------------	---

Support strip with box consisting of: 1 Box (294 mm) 1 Support strip Colour number: Silver 0102 Anthracite 9846	350 x 138 x 95	002152 0102 002152 9846	
--	----------------	--	---

Support Strip with two boxes consisting of: 2 Boxes (147 mm) 2 Lids 1 Support strip Colour number: Anthracite 9846	440 x 116 x 95	002153 9846	
---	----------------	--------------------	---

K-Line accessories



Item no. **Dimensions**

002157 9846 Length
350 mm

**Hook Rail side mounted
with 5 hooks**

Colour number:
Anthracite 9846



002158 9846 Length
350 mm

**Hook Rail top mounted
with 5 hooks**

Colour number:
Anthracite 9846



002159 9846 150 x 70 x 63

**Holder for vacuum cleaner hose
or recycling collection bag**

Colour number:
Anthracite 9846

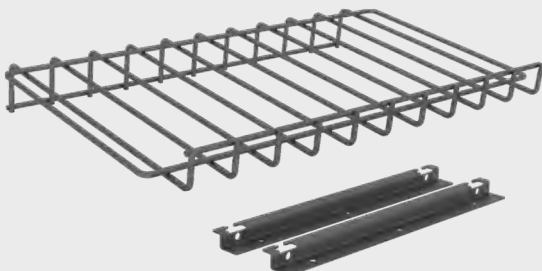
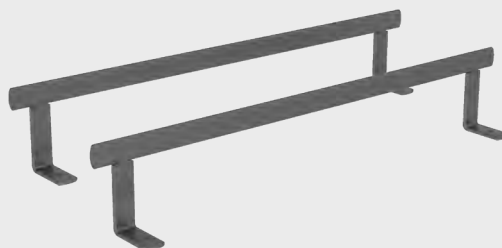



002160 9846 255 x 140 x 300

Utensil Box

Colour number:
Anthracite 9846

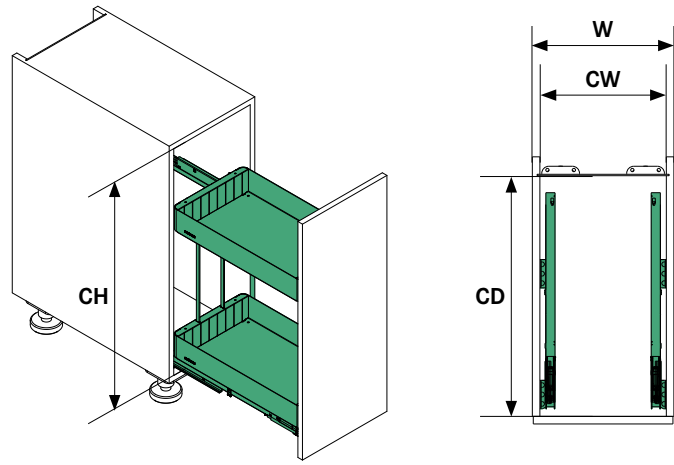
K-Line accessories

	Dimensions	Item no.	
<p>Shelf-Set for beverage crates 600 mm consisting of: 1 Tray 2 Support metal plates 2 Safety pins</p> <p>Colour number: Anthracite 9846</p>	557 x 355 x 95	238361 9846	 A metal wire shelf set consisting of a rectangular tray with a grid pattern, two long support metal plates, and two safety pins.
<p>Laundrytray-Set consisting of: 2 Laundry trays 1 Accessory bag</p> <p>Colour number: Silver 0102 Anthracite 9846</p>	470 x 85	238362 9846	 A metal laundry tray set consisting of two long, narrow trays and one accessory bag.
<p>Support for ironing board or ladder consisting of: 1 Support 1 Accessory bag</p> <p>Colour number: Anthracite 9846</p>	135 x 315 x 20	238363 9846	 A metal support for an ironing board or ladder, consisting of a single L-shaped bar.



K-LINE base

THE NARROW PULL-OUT



Cabinet internal depth:	CD	≥ 477 mm
Cabinet internal height:	CH	≥ 523 mm
Payload:		28 kg

K-Line base, partly mounted

consisting of:

2 Trays

2 Connector assemblies

1 Rail Set

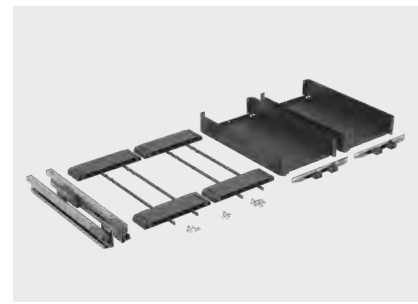
2 Front connectors

2 Inlay mat



Cabinet width (W)	Inner cabinet width (CW)	PU
200 mm	162-168	1 Piece
300 mm	262-268	1 Piece

Anthracite



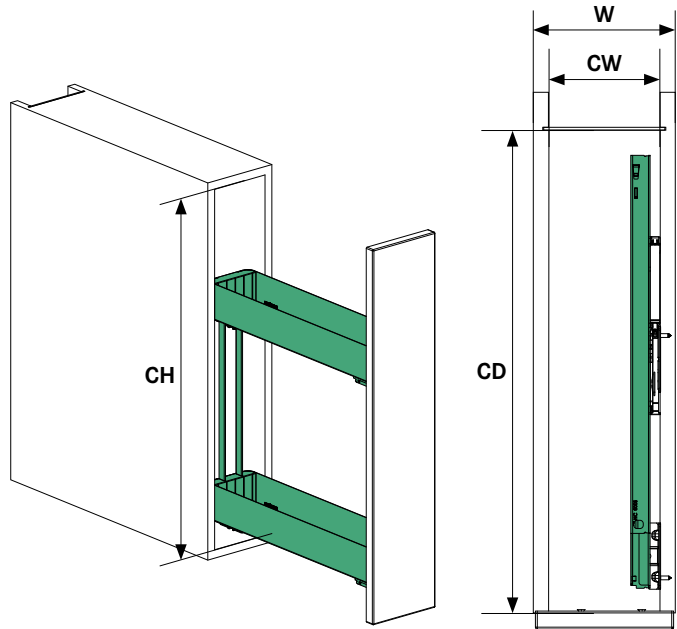
002141 9846

002142 9846



NO.15 3D-X K-LINE

— TURNS THE GAP INTO SPACE —



Cabinet internal depth:	CD	≥ 489 mm
Cabinet internal height:	CH	≥ 525 mm
Payload:		12 kg

No.15 3D-X K-Line, partly mounted

consisting of:

2 Trays

1 Connector assembly

1 Rail Set

2 Front connectors

2 Inlay mats

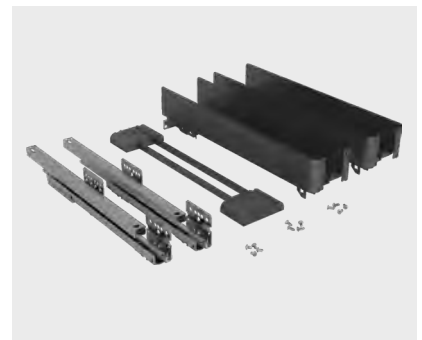


Standard with



damping

Anthracite



Cabinet width	Inner cabinet width (CW)	PU
150 mm	≥ 112	1 Piece

002140 9846

K-Line-Divider

applicable from ≥150 cabinet inner width

PU
100 Pieces

002165 7500

Colour number:

Anthracite 7500



push-to-open (PTO) Typ II

Drill-in ejector

● 22-34 N

272073 7035

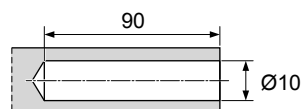
272073 7500

272073 9966

Can also be used with PTO housing

(272075 7035)

Grey	7035
Anthracite	7500
White	9966



PTO housing

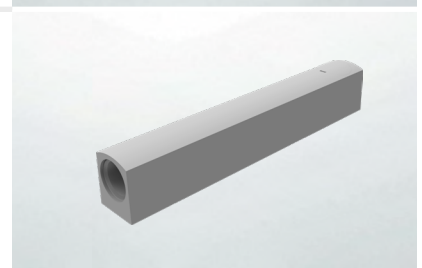
for screw fixing

Grey	7035
Anthracite	7500
White	9966

272075 7035

272075 7500

272075 9966





K-LINE TRAYS

DISPENSA AND DISPENSA JUNIOR



K-Line-Trays

Cabinet width	Inner cabinet width (CW)	PU	002163 9846
300 mm		2 Pieces	
300 mm		3 Pieces	
400 mm		2 Pieces	
400 mm		3 Pieces	

Anthracite



002163 9846

002164 9846

002168 9846

002169 9846

K-Line-Divider

applicable from ≥ 150 cabinet inner width

PU
100 Piece

002165 7500

Colour number:
Anthracite 7500







YouK

NEW PERSPECTIVES

 KESSEBÖHMER



Technical Support

Short-URL:
<https://kbgo.to/supe>



Product Information

Short-URL:
<https://kbgo.to/yoke>



YouK

CONTEMPORARY DESIGN WITH FRESH TRANSPARENCY

—  KESSEBÖHMER —

CONTEMPORARY LADDER FRAME DESIGN

YouK reflects on the bare essentials with its simplicity.

SIMPLY COHERENT GRIDS

For more assured planning and installation

SOLID AND RESISTANT

Due to the surface with Teflon content, the solid steel construction always retains as-new appearance.

EXTREMELY EASY ASSEMBLY

YouK is quickly assembled in just a few steps without any complicated technology.

CAN BE USED IN ANY LIVING SPACE

Ideal due to the variety of additional options.

SUSTAINABLE AND DURABLE

An existing YouK easily expandable over time.

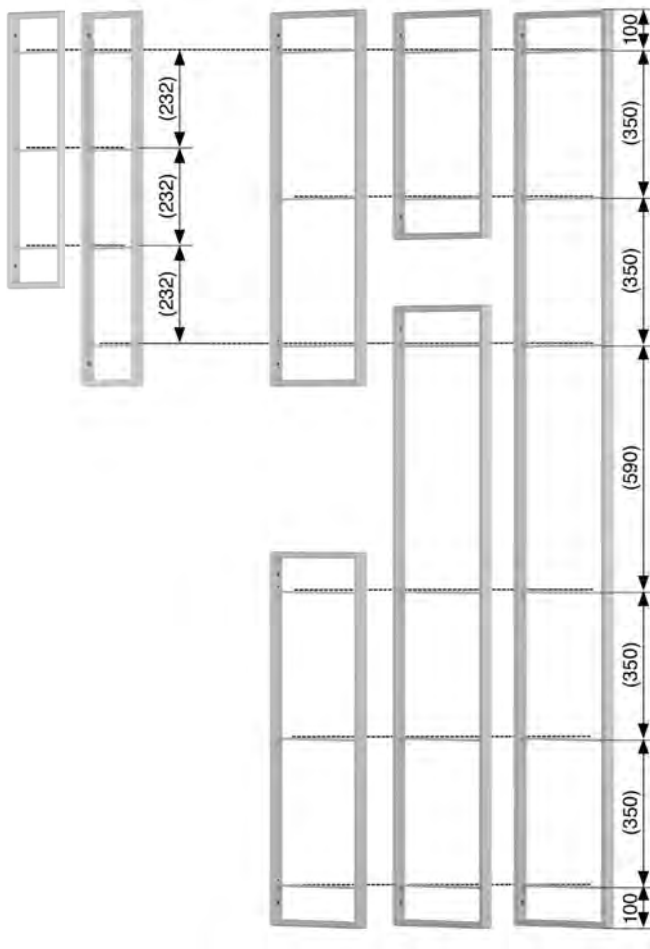


COSINESS IN THE KITCHEN, THE KITCHEN IN THE LIVING ROOM.
 Rooms merge into a modern living space without borders. The industrial style of the flexible but compelling YouK shelving unit suits this well as it adds functional highlights to any area.

In the kitchen or office, as a wall unit, in the bathroom or as a wardrobe.

Depth: 200 mm

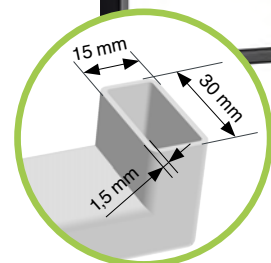
Depth: 320 mm



Simple fixture to the wall

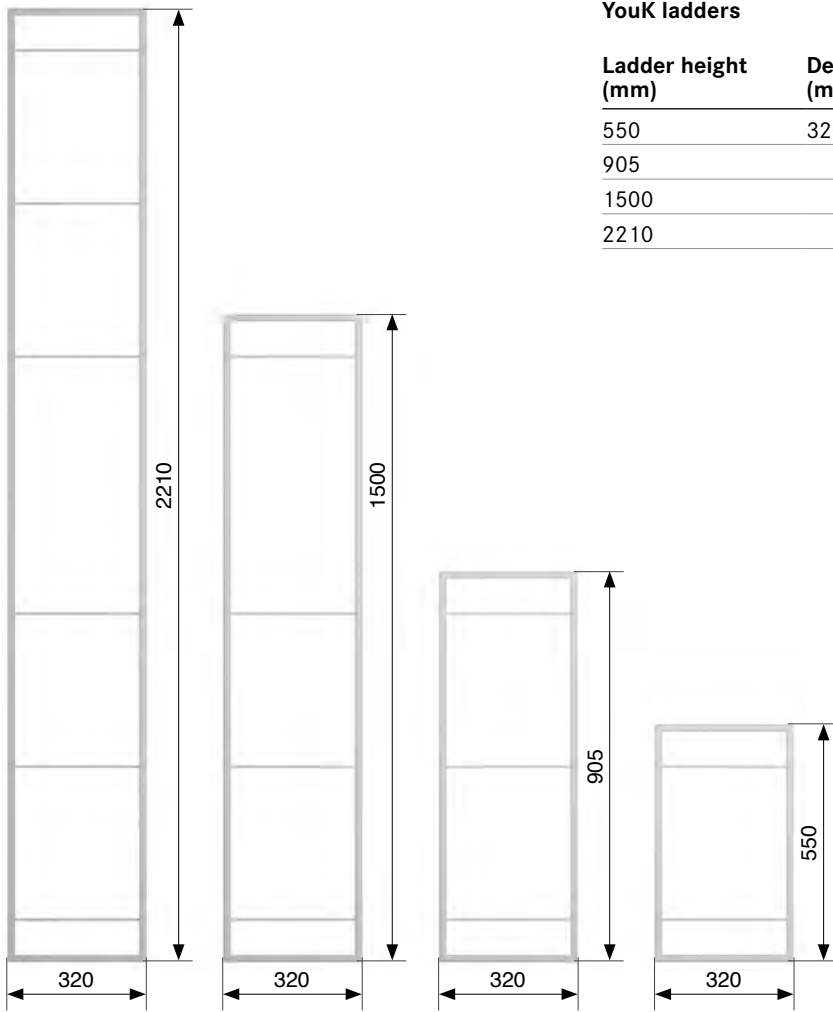
Simple screw fixture of the shelves

Abrasion-resistant surface



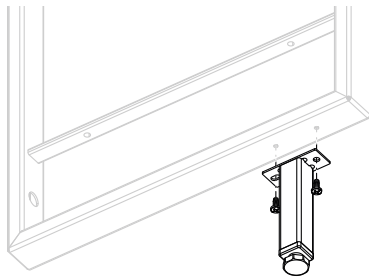
THE VARIOUS GRIDS PROVIDE DIFFERENT HEIGHTS TO PLAY AROUND WITH IN COMBINATION WITH THE CUSTOMER'S CHOICE OF SHELVES (NOT INCLUDED) AND SHELF THICKNESSES.

YouK ladders can be placed on the floor or hung on the wall with screws and various different heights can be combined with each other.



YouK ladders

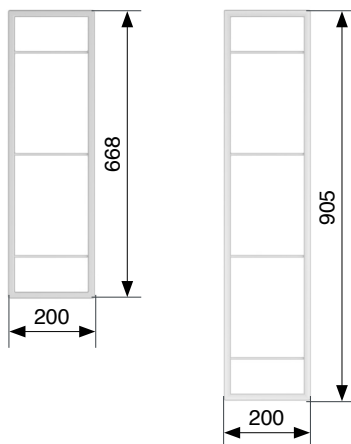
Ladder height (mm)	Depth (mm)	PU piece	Product code Jet black
550	320	1	236750 9873
905		1	236754 9873
1500		1	236758 9873
2210		1	236762 9873



Adjustable foot

Foot height (mm)	PU piece	Product code Jet black
100	1	237023 9873

For ladder depth 320 mm



YouK ladders

Ladder height (mm)	Depth (mm)	PU piece	Product code Jet black
668	200	1	236746 9873
905	200	1	236748 9873

QUALITY – OUR PRODUCTS WORK! OUR WORKMANSHIP IS PRECISE! OUR PRODUCTS ARRIVE RIGHT ON TIME!

 KESSEBÖHMER

The complete process – development, toolmaking, prototyping, manufacturing, finishing and logistics – out of one hand assures reliability and consistent quality for our customers!



ISO 9001



ISO 14001



reddot design award



PLUS X AWARD®



product design award

2014

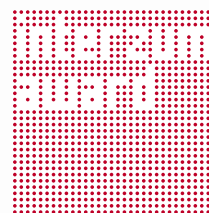


German Design Award



interior innovation award

Winner





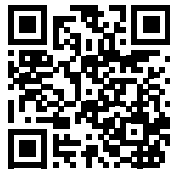
KESSEBÖHMER
CLEVER STORAGE

**QUALITY
WE FEEL STRONGLY
ABOUT OUR PRODUCTS.**

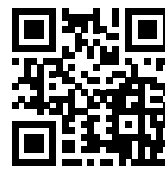
We want you to enjoy using them throughout their long service lives. This is why we subject them to exhaustive quality, endurance and safety tests. We achieve high and lasting quality through strict quality management with continuous monitoring and testing. The effective forces, tight manufacturing tolerances and movement distances are all sensor checked. The spring forces generated in the fittings are monitored to ensure that the high-precision movement sequences and dimensional accuracy in the adjustment range are maintained within tight tolerances. Only then are we satisfied and sure that our products will deliver what we have promised.

Our manufacturing processes are certified to demonstrate that we can meet product specifications. We set a high priority on durable, high quality materials and on high precision processing during our manufacturing processes. Samples from each batch are subjected to endurance tests. In addition, we use continuous camera-based process monitoring and maintain high occupational safety standards for our employees.

Our R&D engineers use the most advanced technical design aids and develop products that will be manufactured using the latest process technologies. The highest level of user-friendliness and convenience is a very high priority from the start. It's an ongoing challenge for us to combine outstanding engineering with elegant, aesthetically pleasing design. And we're naturally delighted if this symbiosis wins us awards.



www.kesseboehmer.co.in



<https://kbgo.to/inpl>



@kesseboehmerIndia

Kesseböhmer Experience Centre

2nd Floor, B Zone, Baner Pune – Mumbai Highway Pune – 411045
Customer Care Number +91 7719911666 | www.kesseboehmer.co.in